



GAS BARBECUES

OWNER'S MANUAL

Broil King

STERLING

broil-mate™

FOR USE WITH L.P. GAS (LIQUIFIED PETROLEUM GAS)
IN CANADA - PROPANE GAS



ANSI Z21.58b-2006 / CSA 1.6b-2006

CONTENTS

SAFETY2

INSTALLATION2

L.P. GAS CYLINDER.....3

OPD EQUIPPED CYLINDER.....4

HOSE & REGULATOR.....4

LEAK TESTING5

VENTURI TUBES5

LIGHTING6

OPERATION7

COOKING TECHNIQUES.....7

MAINTENANCE.....10

TROUBLE SHOOTING.....11

WARRANTY12

Please record your model and serial number here.

_____ Model number

_____ Serial number

_____ Date of purchase

READ ALL INSTRUCTIONS CAREFULLY BEFORE OPERATING YOUR GAS BARBECUE

RETAIN THESE INSTRUCTIONS FOR FUTURE REFERENCE

1-800-265-2150
info@omcbbq.com

Onward
MANUFACTURING COMPANY
 SINCE 1906
 585 KUMPF DRIVE LIMITED
 WATERLOO, ONTARIO, CANADA
 N2V 1K3

10094-LP REV F 01/08

SAFETY

Your new OMC gas grill is a safe, convenient appliance when assembled and used properly. However, as with all gas-fired products, certain safeguards must be observed.

Failure to follow these safeguards may result in damage or injury. If you have questions concerning assembly or operation, consult your dealer, gas appliance serviceman, your gas company or our direct customer service line at 800-265-2150.

FOR YOUR SAFETY

- If you smell gas:
 1. Shut off gas to the appliance.
 2. Extinguish any open flame.
 3. Open lid.
 4. If odour continues, keep away from the appliance and immediately call your gas supplier or your fire department.

DO NOT store or use gasoline, or other flammable vapours and liquids in the vicinity of this or any other appliance.

An LP cylinder not connected for use shall not be stored in the vicinity of this or any other appliance.

CAUTION

- FOR OUTDOOR USE ONLY.
- IF STORED INDOORS, DETACH AND LEAVE CYLINDER OUTDOORS.
- THIS APPLIANCE MUST NOT BE OPERATED UNATTENDED.
- SPECIAL CARE MUST BE TAKEN TO KEEP SMALL CHILDREN AWAY FROM HEATED SURFACES.

Use caution when handling or transporting this product. Metal edges can present a hazard. Use appropriate gloves when lifting or handling. Before lifting, remove side shelves and grids and grates.

ELECTRICAL CAUTION

1. If any accessory is used on this appliance that requires an external electrical power source, the accessory when installed must be electrically grounded in accordance with local codes. In the absence of local codes, the following standards apply:
(U.S.A.) ANSI/NFPA No. 70-Latest Edition
and
(CANADA) CSA C22.1 Canadian Electrical Code
2. Do not cut or remove the grounding prong from the plug.
3. Keep the electrical supply cord and fuel supply hose away from any heated surface.

WARNING

Fuels used in gas or oil-fired appliances, and the products of combustion of such fuels, contain chemicals known to the State of California to cause cancer, birth defects or other reproductive harm.

"This warning is issued pursuant to California Health and Safety Code Sec. 25249.6"

INSTALLATION

1. In Canada, this appliance must be installed in accordance with the local code and the relevant CSA standards:

CSA-B149.1 Natural Gas and Propane installation Code

In the U.S.A., this appliance must be installed in accordance with the local code and the relevant national code.

ANSI Z223.1/NFPA 54 - Latest Edition National Fuel Gas Code and Latest Local Codes where Applicable

2. The appliance must be located away from combustible surfaces by at least 76cm/30" from each side, and 76cm/30" from the rear.



3. Do **not** operate this appliance under any overhead roof construction or foliage.
4. This appliance is for **OUTDOOR USE ONLY**, DO NOT operate in garage, shed, balcony or other such enclosed areas.
5. **DO NOT** restrict the flow of air to the appliance.
6. Keep the area surrounding the appliance free of combustible materials, gasoline, and all flammable liquids and vapours.
7. This appliance is not intended to be installed in, or on, recreational vehicles and/or boats.

LP GAS CYLINDER PLACEMENT

8. LP gas cylinders must be installed according to assembly instructions using retainer provided. Do not store a spare cylinder under or near this appliance.

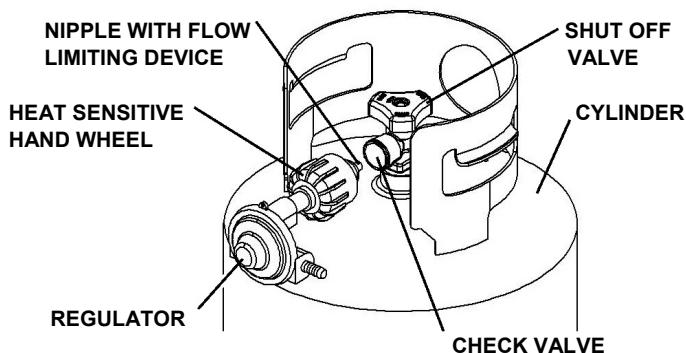
LP GAS CYLINDER

QCC®-1 QUICK CLOSING COUPLING

All models are designed to be used with an LP gas cylinder equipped with the QCC®-1 Quick Closing Coupling system.

The QCC®-1 system incorporates new safety features required by the American National Standards Institute (ANSI) and the Canadian Standards Steering Committee.

- Gas will not flow until a positive connection has been made.
- A thermal element will shut off the flow of gas between 240° and 300° F.
- When activated, a Flow Limiting Device will limit the flow of gas to 10 cubic feet per hour.



The LP Gas Cylinder is not included with the Gas Grill.

Be sure to purchase one with the QCC® valve. This valve is recognized by the external threads on the inlet port of the valve. QCC® equipped cylinders are available from your Gas Grill Dealer.

Any attempt to connect the regulator, by use of adapters or any other means, to any other valve could result in damage, fire or injury and may negate the important safety features designed into the QCC®-1 system.

SPECIFICATION:

1. All LP gas cylinders used with this appliance must be constructed and marked in accordance with the *Specifications for LP Gas Cylinders* of the U.S. Department of Transportation (D.O.T.) or the National Standard of Canada, *CAN/CSA-B339, Cylinders, Spheres and Tubes for Transportation of Dangerous Goods; and Commission*, as applicable
2. The LP gas cylinder used for this appliance must not have a capacity larger than 20 lb.(9 kg).
Approximately 18" (46cm) high
12" (31cm) diameter
3. All LP gas cylinders used with this appliance should be inspected at every filling and re qualified by a licensed service outlet at the expiry date (10 years), in accordance with the DOT (USA) and CTC (Canada) codes for LP Gas Cylinders.
4. All LP gas cylinders used with this appliance must be provided with a shutoff valve terminating in a cylinder valve outlet No. 510, specified in the Standard for Compressed Gas Cylinder Valve Outlet and Inlet Connection (USA) ANSI/CGA-V-1-1977 (Canada) CSA B96.

The cylinder supply system must be arranged for vapor withdrawal.

The cylinder must include a collar to protect the cylinder valve.

The cylinder must be installed as per assembly instructions.

Never fill the cylinder beyond 80% full. A fire causing death or serious injury may occur.

The cylinder valve must include a safety relief device having direct communication with the vapour space of the cylinder.

HANDLING:

1. Government regulations prohibit shipping full LP gas cylinders. You must take your new cylinder to a LP gas dealer for filling.
2. A filled LP gas cylinder is under very high pressure. Always handle carefully and transport in the **upright** position. Protect the valve from accidental damage.
3. Do not tip the LP gas cylinder while connecting it to the regulator. Fasten the cylinder securely during transport, use and storage.
4. If the cylinder is tipped after it is connected to the regulator, shut off the gas, disconnect the regulator and have it checked before using again.

STORAGE:

1. Store the LP gas cylinder outdoors in a well ventilated place.
2. Do not store the LP gas cylinder in direct sunlight, near a source of heat or combustion.
3. If you intend to store the grill indoors, disconnect and remove the LP gas cylinder first. Disconnected cylinders must have a dust cap installed and must not be stored in a building, garage or any other enclosed area.
4. Keep out of the reach of children.
5. When the LP gas cylinder is connected to the gas grill, the gas grill and LP gas cylinder must be stored outside in a well ventilated place.

OPERATION:

1. Never connect your gas grill to an LP gas cylinder without the regulator provided, and **NEVER TO AN UNREGULATED LP GAS SUPPLY**. The gas regulator supplied with the appliance must be used.
2. **Always** leak test the LP gas cylinder to regulator connection when connecting the LP gas cylinder to the appliance. See "Leak Testing".
3. **Do not** operate appliance if the smell of LP gas is present. Extinguish all flame and determine source of LP gas before proceeding. **Do not** ignite the appliance until the LP gas leak has been found and sealed.
4. **Always** shut off LP gas cylinder valve when the appliance is not in use.

OPD EQUIPPED CYLINDER

HOSE & REGULATOR

OVERFILL PREVENTION DEVICE

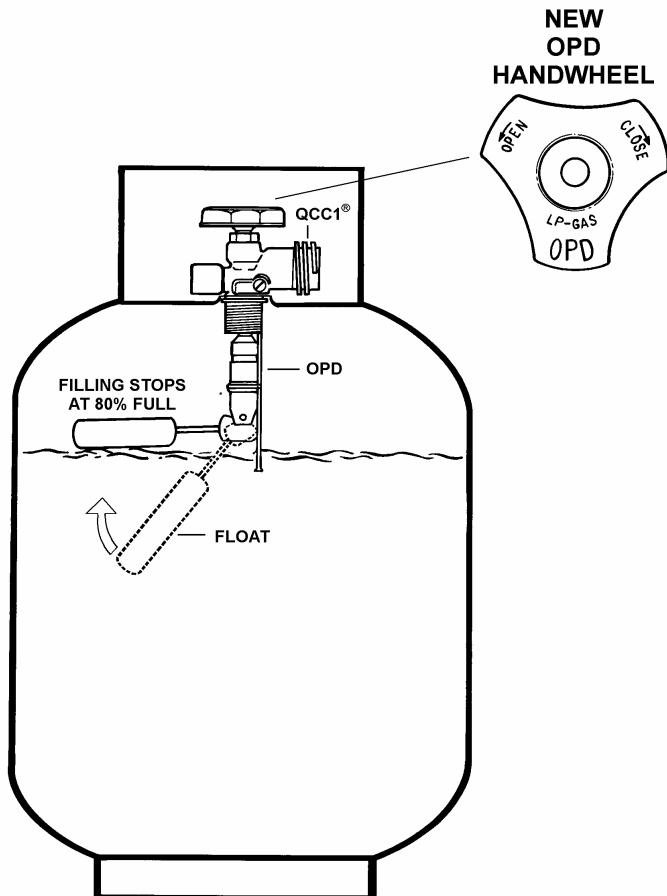
The standard for outdoor gas appliances, ANSI Z21.58/CAN/CGA-1.6, requires that appliances are to be used with cylinders equipped with an Overfill Prevention Device (OPD).

The OPD is designed to reduce the potential for the overfilling of propane cylinders, thus reducing the possibility of relief valve discharges of raw propane. **The OPD causes a slower purge/fill operation.** Some consumers have been advised by filling stations that these cylinders are “defective”. **This is not a defect.** Some propane filling stations may not be aware of this device and its effect on the purge/fill operation.

New OPDs coming onto the market have technology that allows for much greater BTU outputs which will decrease the amount of time it takes to purge a cylinder.

Identification

To identify these cylinders, the OPD handwheel has been standardized to the shape shown.

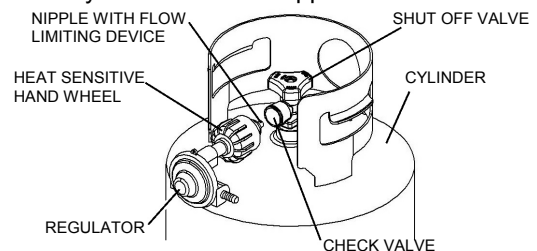


All models are equipped with a hose and regulator with a QCC®-1 Quick Closing Coupling.

1. The QCC® coupling contains a magnetic Flow Limiting Device which will limit the flow of gas should there be a leak between the regulator and the appliance valve. This device will activate if the cylinder valve is opened while the appliance valves are open. **Be sure the appliance valves are off before the cylinder valve is opened to prevent accidental activation.**
2. The QCC® coupling incorporates a heat sensitive hand wheel that will cause the back check module in the QCC® cylinder valve to close when exposed to temperatures between 240° and 300°F. Should this occur, do not attempt to reconnect the hand wheel. Remove hose/regulator assembly and replace with a new one.
3. The pressure regulator is set at 11 inches WC (water column) and is for use with LP gas only. The hose and hose couplings comply with CGA Standard CAN 1.83. No modifications or substitutions should be attempted.
4. Protect the hose from dripping grease and **do not allow the hose to touch any hot surface, including the base casting of the barbecue.**
5. Inspect the seal in the QCC® cylinder valve when replacing the LP gas cylinder or once per year whichever is more frequent. Replace the seal if there is any indication of cracks, creases, or abrasion.
6. Inspect the hose before each use of the barbecue. If the hose is cracked, cut, abraded or damaged in any way, the appliance must **not** be operated.
7. For repair or replacement of the hose/regulator assembly, contact customer service at 1-800-265-2150 or info@omcbbq.com

Connection

1. Be sure cylinder valve and appliance valves are "off".



2. Place full LP gas cylinder in LP tank well and secure base as per assembly instructions.
3. Center the nipple in the cylinder valve and hold in place. Using other hand, turn the hand wheel clockwise until there is a positive stop. **Do not use tools. Hand tighten only. When making the connection, hold the regulator in a straight line with the cylinder valve, so as not to cross thread the connection.**
4. Leak test connections. See "Leak Testing".
5. Refer to lighting instructions. **To avoid activating the Flow Limiting Device when lighting, open cylinder valve slowly with the appliance valves off.** If the Flow Limiting Device is accidentally activated, turn off cylinder valve and appliance valves, wait 10 seconds to allow the device to reset, open cylinder valve slowly, then open the appliance valve.

LEAK TESTING

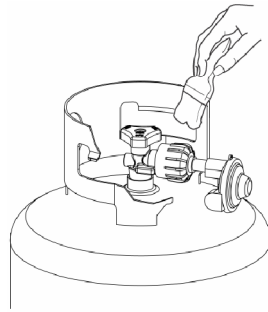
All factory-made connections have been thoroughly tested for gas leaks. However, shipping and handling may have loosened a gas fitting.

AS A SAFETY PRECAUTION:

- **TEST ALL FITTINGS FOR LEAKS BEFORE USING YOUR GAS BARBECUE.**
- **TEST THE CYLINDER VALVE FOR LEAKS EACH TIME THE CYLINDER IS FILLED.**
- **TEST FOR LEAKS EVERY TIME YOU CONNECT A GAS FITTING.**
- **DO NOT SMOKE!**
- **NEVER TEST FOR LEAKS WITH A LIGHTED MATCH OR OPEN FLAME.**
- **TEST FOR LEAKS OUTDOORS.**

TO TEST FOR LEAKS:

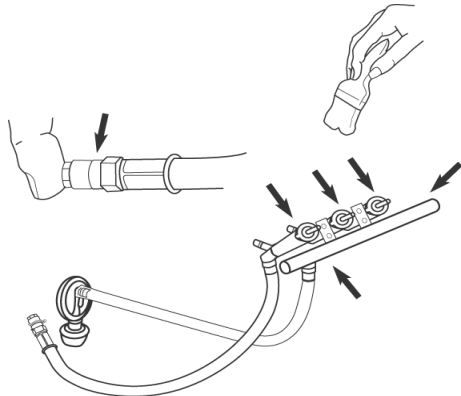
1. Extinguish any open flame or cigarettes in the area.
2. Be sure that cylinder valve and appliance valves are "off".
3. Connect LP gas cylinder. See "Hose and Regulator".
4. Prepare a soap solution of one part water, one part liquid detergent.



5. With a full gas cylinder, open cylinder slowly.
6. Brush the soap solution on each connection.

If your barbecue is equipped with a side burner or rear burner:

- a. Place finger tip over the opening in the orifice at the end of hose.
- b. Turn "SIDE"/"REAR" control to "HI".
- c. Brush soap solution on each connection between orifice and control valve.
- d. Turn "SIDE"/"REAR" control to "OFF".

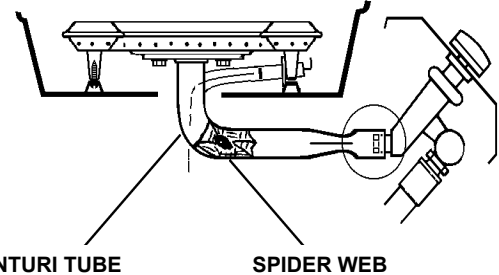


7. A leak is identified by a flow of bubbles from the area of the leak.
8. If a leak is detected, close the gas cylinder "shut-off" valve, tighten the connection and retest (Step 5).
9. If the leak persists, contact your barbecue dealer for assistance. Do not attempt to operate appliance if a leak is present.

VENTURI TUBES

- **KEEP VENTURI TUBES CLEAN.**
- **Blockages caused by spiders insects and nests can cause a flashback fire.**

Although the barbecue might still light, the backed up gas might also ignite and cause a fire around the venturi tubes at the control panel or side burner.



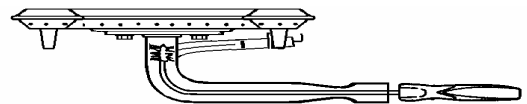
- **If a flashback fire occurs, turn off gas at the source immediately**

Inspect and clean the venturi tubes (main burner, side burner, rear burner) if any of the following symptoms occur:

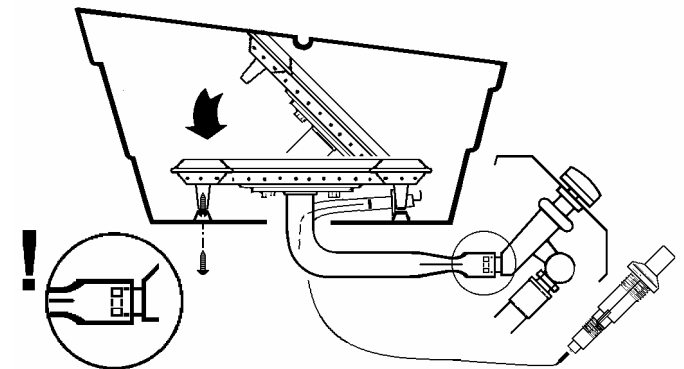
1. You smell gas.
2. Your barbecue does not reach temperature.
3. Your barbecue heats unevenly.
4. The burners make popping noises.

Inspecting & Cleaning Venturi Tubes

1. Turn off gas at the source. i.e. the gas cylinder or supply line for natural gas.
2. When barbecue is cool, remove burner fasteners from bottom, lift the burner from the barbecue housing.
3. Clean the venturi tubes with a pipe cleaner or venturi cleaning tool (Accessory #18270).

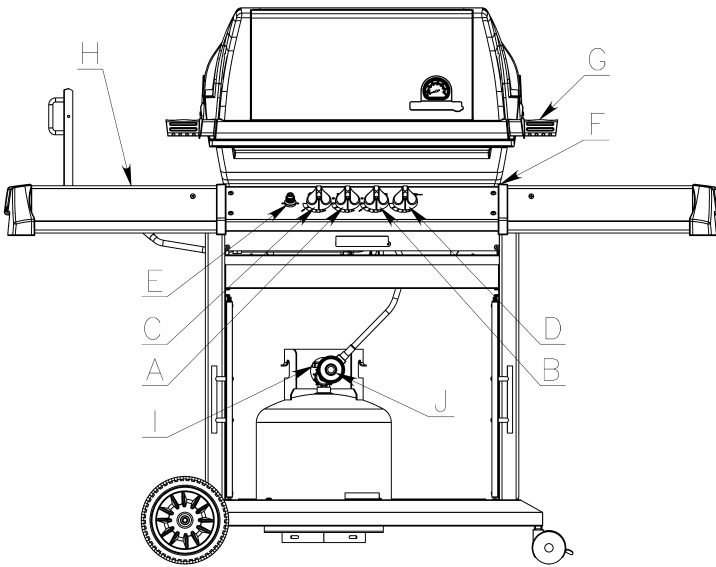


4. Lower the burner into position in the barbecue housing, making sure that the venturi tubes are correctly aligned and fitted on the orifices.



5. Secure burner with burner fasteners.

LIGHTING



- | | |
|-------------------------|-------------------------|
| A. LEFT BURNER CONTROL | F. MANUAL LIGHTING HOLE |
| B. RIGHT BURNER CONTROL | G. HANDLE |
| C. SIDE BURNER CONTROL | H. SIDE BURNER |
| D. REAR BURNER CONTROL | I. CYLINDER VALVE |
| E. IGNITOR | J. REGULATOR |

1. The appliance must be assembled as per the assembly instructions.
2. Check that your gas cylinder is full and properly connected to the regulator.
3. Check that there are no gas leaks in the gas supply system. See Leak Testing.
4. Check that the venturi tubes are properly located over the gas valve orifices.
5. Check that both Main Burner and Side Burner ignition wires are connected.
6. Read carefully all instructions contained on the information plate attached to the barbecue.
7. **WARNING: Open lid before lighting.**
8. Set control knobs to "OFF" and turn on the gas supply.

9a. For Main Burner:

Push and turn either main burner control knob to "Hi". Push or rotate the ignitor knob 3 or 4 times or match light. Burner should ignite within 5 seconds. (Ignition may perform better with right control knob or both control knobs set at medium.)

Note: To light burner with a match follow steps 1 thru 8 above.

Insert lighted match through lighting hole located at the bottom right of the grill housing.

Push and turn right control knob to "Hi".

Burner should ignite within 5 seconds.

After the right burner is lit, push and turn left control knob to "Hi". Left burner will ignite automatically.

9b. For Side Burner:

Push and turn side burner control knob to "Hi".

Push or rotate the ignitor knob 3 or 4 times.

Burner should ignite within 5 seconds.

Note: To light burner with a match follow steps 1 thru 8 above.

Apply lighted match to burner ports.

Push in the side burner control knob and turn to "Hi".

Burner should ignite within 5 seconds.

9c. For Rear Burner Rotisserie:

Warning - Do not operate the main burner simultaneously with the rear burner as this may result in a grease fire and/or damage to the barbecue.

Caution: Rear burner must be in place before operating the control knob.

REMOVE THE WARMING RACK.

Follow steps 1 thru 8.

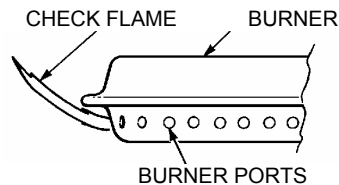
Place lighted match near rear burner ports.

Push and turn rear burner control knob to "Hi".

Burner should ignite within 5 seconds.

It is important to have lighted match near burner ports **BEFORE** turning the control knob.

10. Caution - Check your barbecue after lighting.



All the ports on the burner should show a 2.5cm flame on "Hi" setting.

If any of the following symptoms occur there is probably a blockage in the venturi tubes. Shut off gas at once and clean the venturi tubes. See "Venturi Tubes".

1. You smell gas.
2. If a flashback fire occurs.
3. Your barbecue heats unevenly.
4. The burners make popping noises.

IF BURNER DOES NOT IGNITE:

1. Push and turn control knob to "OFF". Wait 5 minutes, then try again with right control knob or both control knobs set at medium.
2. If any burner will not light, consult "Trouble Shooting Guide". If problem cannot be resolved, do not attempt to operate the appliance; contact your dealer or approved service centre.

SHUT DOWN

1. Turn off cylinder valve. Allow gas in line to burn out.
2. Turn control knobs to "OFF".

OPERATION

Burn-off. Before cooking on your gas barbecue for the first time, burn off the barbecue to rid it of any odours or foreign matter as follows:

Remove cooking grids and warming rack and wash in mild soap and water. Ignite the burner. Close the lid and operate the barbecue for **20 minutes** with the control knobs set at "**MEDIUM/HIGH**". Turn the gas off at the source. Turn the control knobs to "Off". Let the appliance cool down, replace the grids. You are now ready to use the appliance.

Preheating. When grilling, preheat the barbecue on Medium/High with the lid closed for ten minutes. Reduce heat as appropriate for what you are grilling. Scrub grids with a wire grill brush and brush or spray the grids with vegetable or olive oil to prevent food from sticking.

Lid Position. The position of the lid during cooking is a matter of personal preference, but the barbecue cooks faster, uses less gas, and controls the temperature best with the lid closed. A closed lid also imparts a smokier flavor to meat cooked directly on the grid, and is essential for smoke and convection cooking.

Vapourization Systems. Your gas grill is designed for use with the Flav-R-Wave™ vapourization system (included). Do not use lava rock, ceramic briquets or any other vapourization system other than the one that came with the barbecue.

COOKING TEMPERATURES

High Setting will produce temperatures at the cooking grid of approximately 600 - 650°F (320 - 340° C). Use this setting only for fast warm-up and for burning food residue from the cooking grids after the cookout is over. This setting is also ideal for quickly searing steaks before reducing temperature. Rarely, if ever, do you use the HIGH setting for extended cooking.

Medium/High Setting will produce temperatures at the cooking grid of approximately 550°F (290 ° C). Use this setting for warm-up and for grilling steaks and chops,

Medium Setting will produce temperatures inside the barbecue of approximately 450° F (230°C) with the lid down. Use this setting for most grilling of chicken, burgers, vegetables and for roasting, and baking.

Low Setting will produce temperatures inside the barbecue of approximately 310- 350° F (155-175° C). Use this setting for all smoke cooking, large cuts of meat, delicate fish, and for dough and pastry such as pizza and quesadillas.

These temperatures are approximate only and vary with the outside temperature and the amount of wind present.

COOKING TECHNIQUES

DIRECT GRILLING

The direct grilling method involves cooking the food on grids directly over the flame. Direct grilling is the most popular method for most single serving items such as steaks, chops, fish, burgers, kebabs and vegetables.

1. Prepare food in advance to avoid delay and timing problems. If using marinade or spices, they should be applied before placing meat on the cooking grid. If basting with sauces, they should be applied the last 2-4 minutes of grilling to avoid burning.
2. Organize the area around the barbecue to include forks, tongs, oven mitts, sauces and seasonings, to allow you to stay in the vicinity of the barbecue while cooking.
3. Bring meat to room temperature just prior to grilling. Trim excess fat from meat to minimize the "flare-ups" that are caused by dripping grease.
4. Pre-heat the barbecue to the desired temperature with the cover closed.
5. Coat the grids with vegetable or olive oil to prevent food from sticking to the grids.
6. Hold the salt when cooking meats on the barbecue. The meat will stay juicier if the salt is added after cooking.
7. To prevent steaks from "drying out", use tongs rather than a fork and start on "MEDIUM/HIGH" to sear the meat and seal the juices in. Reduce the heat and extend cooking times when grilling thicker cuts of meat.
8. Learn to test when the meat is done by time and feel. The meat firms up as it cooks. When the meat is soft it is rare. When it is firm, it is well done.
9. Follow the perfect steak grilling guide for most meat, fish, poultry and vegetables.

The Perfect Steak Grilling Guide for Steaks and Chops

Place steak on angle on hot grids. Flip the steak as shown below. Turn and flip the steak again. Finally, flip the steak again.

Meat Thickness	Heat Setting		Time Per Side				Total Time
			A	B	C	D	
1 1/2"	1"		A	B	C	D	
	Rare	High	1 3/4	1 3/4	1 3/4	1 3/4	7 minutes
	Rare	Med/High	2	2	2	2	8 minutes
	Med/Rare	Med/High	2 1/2	2 1/2	2 1/2	2 1/2	10 minutes
	Medium	Medium	3	3	3	3	12 minutes
	Well	Medium	3 1/2	3 1/2	3 1/2	3 1/2	14 minutes

COOKING TECHNIQUES

DIRECT GRILLING GUIDE

	1" THICKNESS	HEAT SETTING	TIME PER SIDE	TOTAL TIME
CHICKEN	MED / WELL	MEDIUM	3 / 3 / 3 / 3	12 MIN.
CHICKEN WINGS	MED / WELL	MED / LOW	5 / 5 / 5 / 5	20 MIN.
HAMBURGER	MEDIUM	MEDIUM	3 / 3 / 3 / 3	12 MIN.
HAMBURGERS 3/4" FROZEN	MEDIUM	MEDIUM	3 / 3 / 3 / 3	12 MIN.
FISH FILLET	MEDIUM	MEDIUM	2 / 2 / 2 / 2	8 - 10 MIN.
LOBSTER TAILS SPLIT	MEDIUM	MEDIUM	4 / 4 / 4 / 4	16 - 20 MIN.

Use same technique as the perfect steak grilling guide

INDIRECT CONVECTION COOKING

This method is ideal for cooking large cuts of meat such as roasts or poultry with or without a rotisserie. The food is cooked by hot air circulating around it.

- For most applications of convection cooking with and without a rotisserie, a drip pan is recommended to catch the drippings. Place drip pan on top of the Flavr-Wave, beneath centre of food. Put half to one inch of water in the drip pan. Fruit juice, wine or a marinade may also be added to enhance the flavour. Do not let the drip pan run dry.
- In most cases convection cooking with and without a rotisserie is best with the cover closed and the heat reduced. All burners can be set to low or the outside burners can be set to medium and the middle burner(s) can be turned off. Turning the center burner off will prevent juices in the drip pan from burning.
- Prior to placing the meat on the barbecue, baste the meat with vegetable oil. This will enhance the browning on the outside of the meat.
- When cooking without a drip pan, close attention must be paid to avoid the risk of grease fire and is not recommended.
- Use oven mitts when working around the barbecue to avoid injury.
- Turn barbecue off and allow it to cool before removing drip pan. The fat drippings are highly flammable and must be handled carefully to avoid injury.
- For convection cooking roasts and poultry without a rotisserie, place meat in a roasting rack directly on the grids.

INDIRECT CONVECTION AND ROTISSERIE COOKING GUIDE

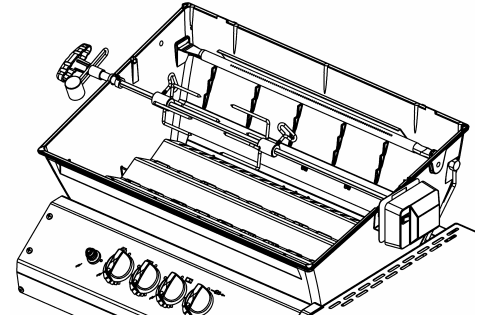
BEEF ROAST	3-6 LB	MED/LOW	2 - 4 HRS
BEEF ROAST	6-10 LB	MED/LOW	3 - 5 HRS
PORK ROAST	2-5 LB	MED/LOW	2 - 4 HRS
PORK ROAST	6-10 LB	MED/LOW	3 - 5 HRS
TURKEY OR CHICKEN	2-5 LB	MED/LOW	2 - 4 HRS
TURKEY OR CHICKEN	5-10 LB	MED/LOW	3 - 5 HRS

When using rotisserie burner, set heat at Med. / High.

ROTISSERIE COOKING

Follow the steps for Indirect Convection Cooking above.

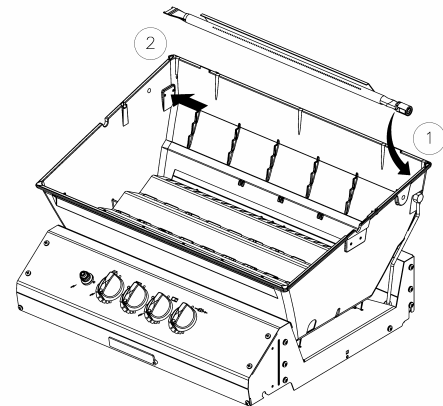
- The rotisserie can accommodate up to 7 kg (15lb) of meat with the limiting factor of rotating clearance. For best results the meat should be centered on the center line of spit to eliminate an out-of-balance condition.



- The rotisserie can be used with the cooking grids in place if space allows.
- Fasten the meat securely on the spit prior to placing it on the barbecue. For poultry, tie the wings and legs in tightly to avoid contact with drip pan.

Rear Burner Rotisserie

Certain models feature a rear burner for rotisserie cooking. The rear burner rotisserie method is the ultimate for cooking roasts and poultry. With the heat source located behind the food, there is no chance of a flare up caused by fat drippings. Cook with confidence knowing you will get perfect results every time. A dish or drip pan placed below the spit will collect the juices for basting or for preparing a sauce.



The spring loaded rear burner may be easily removed when not in use.

To operate your rear burner, follow the lighting directions on page 6.

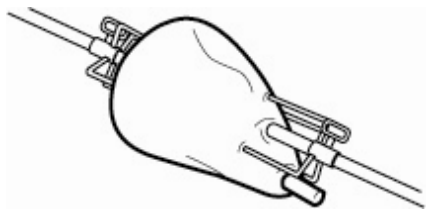
MEAT TEMPERATURE GUIDE

	RARE	MED.	WELL
BEEF / LAMB / VEAL	130°F / 55°C	145°F / 63°C	160°F / 70°C
PORK		150°F / 65°C	170°F / 77°C
POULTRY			170°F / 77°C

For best results use a meat thermometer.

COOKING TECHNIQUES

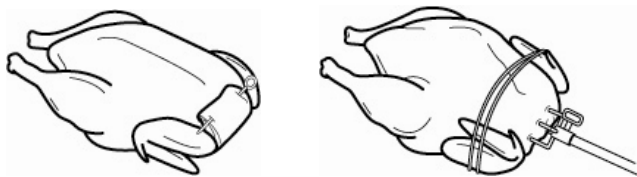
HOW TO USE A SPIT LEG OF LAMB



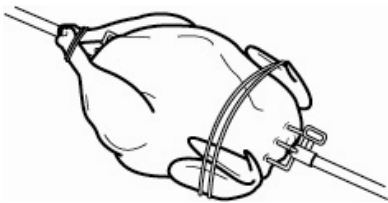
1. Have 3" of bone sawed from small end of leg. Leave meat around bone intact to form a flap. Put a spit fork on rod. Fold flap up and run rod through flap and leg. Put second fork on rod and insert forks in each end of leg. Test for balance. Tighten screws.

POULTRY

1. With breast down; bring neck skin up over cavity. Turn under edges of skin; skewer to back skin. Loop twine around skewer and tie. Turn breast side up; tie or skewer wings to body.



2. Put a spit fork on rod. Insert rod in neck skin parallel to backbone; bring it out just above tail. Put second fork on rod and insert forks in breast and tail. Test for balance. Tighten screws.



3. Tie tail to rod with twine. Cross legs; tie to tail.

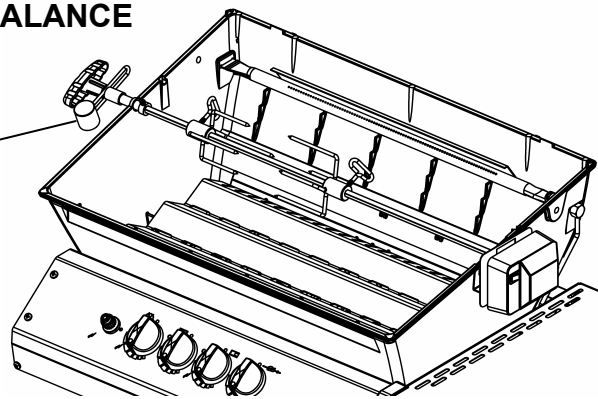
THREE CHICKENS ON A SPIT



1. Tie or skewer wings to body. Put a spit fork on rod. Dovetail chickens on rod. Loop twine around tails and legs; tie to rod. Put second fork on rod and insert forks in chicken. Tighten screws.

SPIT BALANCE

SPIT
BALANCE



1. Loosen the rod handle to allow the balance to turn freely. Set the rotisserie rod in the slots of the barbecue casting. Let the heaviest side of the meat rotate to the bottom.
2. Adjust the balance to the top of the rod, opposite the heaviest side of the meat. Tighten the rod handle. Periodically, check to see if the meat turns smoothly while cooking. Adjust the balancer as necessary. Caution: Use oven mitt when adjusting balancer.

HOW TO USE A BARBECUE THERMOMETER

1. The accurate way to determine when a large piece of meat is done is to use a barbecue thermometer. Insert the thermometer at an angle so the sturdy pointed metal tip rests in the center of the thickest part of the meat. **Be careful that it doesn't touch the spit or the bone, and that the point is not resting in fat.**
2. Leave the thermometer in place while the meat revolves. When the thermometer reaches the desired temperature the meat is done. Add your sauces during the last few minutes of cooking time, then take the meat off spit and let the meat stand about 15 minutes to firm up. Carve and serve.

For poultry: insert the tip of the thermometer in the thickest part of the thigh close to the body.



For ham or roasts: insert the tip of the thermometer in the center of the heaviest section of the meat.



MAINTENANCE

PERIODIC MAINTENANCE

After you have finished, prepare for the next cookout by burning off any residue of food from the grid and briquettes, Flav-R-Wave™ or Flav-R-Cast™ in the following manner:

Cooking Grids

Remove all food from the grids, turn the control knobs to "HIGH", and operate the barbecue with the lid closed for 5 to 10 minutes or until smoking stops. Turn the gas cylinder valve to OFF, then the control knobs to OFF.

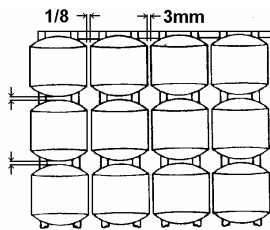
Use a long-handled **brass** wire brush to clean the grids. Remember that the barbecue is hot, so wear kitchen mitts or use a pot-holder to handle the brush.

You do not have to wash the grids and upper cooking rack after each cookout, but if you wish to do so, use a mild soap and water solution, then rinse them thoroughly. Never use a commercial oven cleaner.

Porcelain Coating - Most OMC cooking grids are coated with a durable porcelain enamel to assist in cleaning and reduce the tendency of food sticking to the grid. Some chipping may occur if mishandled. This will not affect the use or performance of the grids. If some rust appears, remove the rust with a scrub pad and coat the grid with cooking oil.

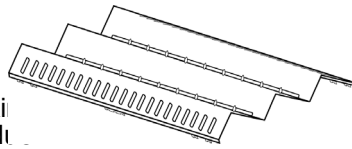
Ceramic Briquets

If any residue begins to accumulate on the briquets, remove the cooking grids and turn the briquets over prior to lighting the barbecue. Be sure to place briquets evenly in one layer. The underside of the briquets will self clean while preheating the barbecue.



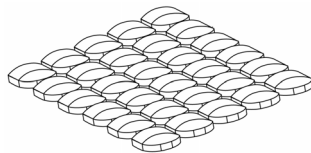
Flav-R-Wave™

If any residue begins to accumulate on the Flav-R-Wave™, remove cooking grids and scrape excess residue with back of barbecue brush.



Flav-R-Cast™

Excess food residue may be removed using a scrub pad or brass grill brush. Coat the Flav-R-Cast™ with cooking oil when not using the barbecue for an extended period. The Flav-R-Cast™ is coated with a matte porcelain finish to assist in cleaning and help prevent rust. Some chipping may occur if mishandled. This will not affect the use or performance of the Flav-R-Cast™. If rust appears, remove the rust with a scrub pad and coat with cooking oil.



Grease Cup Holder



The grease cup holder is located on the bottom of the cooking oven immediately below the hole through which grease will drain. The grease cup is not provided. The clip, however, has been designed to hold a standard soup can or jar. Simply snap the can or jar into place. The grease cup should be checked and replaced regularly to prevent grease from overflowing onto your patio.

General Cleaning

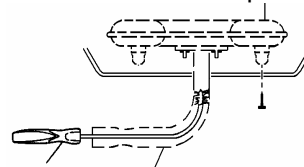
When the barbecue is cold, remove the grids. If equipped with briquets, turn over. Cover three quarters of the briquettes, Flav-R-Wave™ or Flav-R-Cast™ with aluminum foil, shiny side down. Ignite the burners; operate the barbecue on HIGH with the lid closed for 10 minutes or until smoking stops. Turn the gas cylinder valve to OFF, turn the control knobs to OFF. When the barbecue is cool, remove the foil, and residue from briquettes, Flav-R-Wave™, Flav-R-Cast™ with a vacuum. Remove briquets and grate or Flav-R-Wave™, Flav-R-Cast™, then clean the interior of the bottom oven by scrapping the sides and vacuuming.

ANNUAL MAINTENANCE

To ensure safe and efficient performance, the following components should be inspected and cleaned at least once per year or after any period of storage exceeding one month.

Burner

Remove burner and inspect for cracks and deterioration.



Clean venturi tubes using a pipe cleaner or venturi brush to eliminate any blockages caused by spiders or insects. See "Venturi Tubes".

While burner is removed, clean interior of bottom oven by scrapping the sides and vacuuming.

Hose

Inspect and replace if necessary. See "Hose and Regulator".

Perma-Mold Shelves

Wash with soap and water. To enhance luster, coat lightly with cooking oil.

Exterior Finish

If white oxidation spots appear, wash the outside of the housing with a mild soap and water solution. Rinse the surfaces thoroughly, then wipe them with a cloth dipped in cooking oil to restore the luster.

For repair of paint scratches and scuffs, use a good quality HIGH temperature (600°F) spray paint for touch-up.

Replacement Parts

If a problem is found with the regulator, hose, burner, or control valves, **do not** attempt repair. See your dealer, approved service centre, or contact the factory for repairs or replacement parts. To ensure optimum performance, use only original OMC replacement parts.

Leak Test

After reconnecting gas cylinder, be sure to check for leaks. See "Leak Testing"

TROUBLE SHOOTING

PROBLEM	POSSIBLE CAUSE	CORRECTIVE ACTION
SMELL OF GAS	SHUT OFF LP GAS CYLINDER VALVE AT ONCE. DO NOT USE THE APPLIANCE UNTIL LEAK IS SEALED.	
Leak detected at cylinder, regulator or other connection.	<ol style="list-style-type: none"> 1. Regulator fitting loose. 2. Gas leak in hose/regulator or control valves. 	<ol style="list-style-type: none"> 1. Tighten fitting and "Leak Test". 2. See authorized service centre.
Flame flashback beneath control panel.	<ol style="list-style-type: none"> 1. Venturi blocked. 	<ol style="list-style-type: none"> 1. Remove burner, clean venturi. See "Venturi Tubes".
Burner will not light.	<ol style="list-style-type: none"> 1. Out of LP Gas. 2. Ignitor wire(s) not connected. 3. Ignitor electrode misaligned on burner. 4. Ignitor malfunction. 5. Regulator is not fully connected to the cylinder valve. 6. Burner valve left open while cylinder valve was opened causing excess flow device to activate. 7. A leak in the system causing the excess flow device to activate. 8. Venturi blocked. 9. Venturi not aligned with valve orifice. 10. Orifice blocked. 11. Hose is twisted. 	<ol style="list-style-type: none"> 1. Refill LP Gas Cylinder. 2. Connect both main burner and side burner electrode wires. 3. Realign electrode. 4. Use "Manual Lighting" Procedure. 5. Tighten the regulator hand wheel. 6. Close burner and cylinder valves. Open cylinder valve slowly, then open burner valve to light. 7. Leak test connections to determine loose fitting. Tighten fitting. Leak test system. 8. Remove burner, clean venturi. See "Venturi Tubes". 9. Realign venturi to orifice. See "Venturi Tubes". 10. Remove burner, clean orifice with a pin or fine wire. Do not attempt to drill orifice. 11. Straighten hose. Keep away from bottom casting.
Decreasing heat, "popping sound".	<ol style="list-style-type: none"> 1. Out of LP Gas. 2. Venturi blocked. 	<ol style="list-style-type: none"> 1. Refill LP Gas Cylinder. 2. Remove burner, clean venturi. See "Venturi Tubes".
Hot spots on cooking surface.	<ol style="list-style-type: none"> 1. Briquets not evenly distributed. 2. Venturi blocked. 	<ol style="list-style-type: none"> 1. Spread briquets evenly on briquet grate - one layer only. 2. Remove burner, clean venturi. See "Venturi Tubes".
"Flare-ups" or grease fires.	<ol style="list-style-type: none"> 1. Excessive grease buildup on briquets. 2. Excessive heat. 	<ol style="list-style-type: none"> 1. Clean briquets. See "Maintenance". 2. Turn burner controls to a lower setting or raise cooking grid to upper position (2-position grids only).
Humming noise from regulator.	<ol style="list-style-type: none"> 1. Cylinder valve turned on too quickly. 	<ol style="list-style-type: none"> 1. Turn cylinder valve on slowly.
Yellow Flame.	<ol style="list-style-type: none"> 1. Some yellow flame is normal. If it becomes excessive the venturi may be blocked. 2. Burner ports blocked. 	<ol style="list-style-type: none"> 1. Remove burner, clean venturi. See "Venturi Tubes". 2. Remove burner & clean with soft bristle brush.
Inside of lid appears to be peeling.	<ol style="list-style-type: none"> 1. This is a build up of grease not faulty paint. 	<ol style="list-style-type: none"> 1. Clean with stiff bristle brush or scraper.

WARRANTY

The OMC Warranty is effective from date of purchase and is limited to the repair or replacement of parts at no charge which prove to be defective under normal domestic use.

In Canada replacement is FOB Factory.

In all other countries replacement is FOB OMC Distributor. (consult your Dealer for name of OMC Distributor).

All other costs are the responsibility of the owner.

This warranty is extended only to the original purchaser as indicated on the warranty registration and applies only to products sold at retail and only when used in country where purchased. (Different types of gas used in different countries require appropriate valves, orifices and regulators.)

WHAT IS COVERED

Oven castings	Excluding Paint	Lifetime
Burners	Super 8 Burners	5 years
	Dual H Burners	5 years
	Oval & Tube Type	3 years
All Remaining Parts	Excluding Tank	2 years

WHAT IS NOT COVERED

Any failures or operating difficulties due to accident, abuse, misuse, alteration, misapplication, vandalism, improper installation or improper maintenance or service, or failure to perform normal and routine maintenance, including but not limited to damage caused by insects within the burner tubes, as set out in the owner's manual.

Deterioration or damage due to severe weather conditions such as hail, hurricanes, earthquakes or tornadoes, discoloration due to exposure to chemicals either directly or in the atmosphere.

Shipping or transportation costs.

Removal or re-installation costs.

Labor costs for installation and repair.

Cost of service calls.

Liability for indirect, or consequential damages.

REPLACEMENT PARTS

"Genuine OMC Gas Barbecue Parts" must always be used for replacement. Use of any other parts will automatically nullify the above warranty.

WARRANTY CLAIMS

All warranty is handled directly by OMC. Parts must be returned to OMC Warranty Department, shipping charges prepaid, accompanied by Model #, Serial #, and if your grill is not registered, proof of purchase (copy of sales slip or invoice). If inspection confirms the defect, OMC will repair or replace such part in accordance with the terms of the warranty.

On receipt of letter or fax (not by phone) OMC may at its option not require part or parts to be returned.

Name		Model #	
Address		Serial #	
City, State/Province		Date of purchase	
Postal/Zip Code		Name of dealer	
Phone #		Part # (see assembly manual)	
Fax #			
Problem			

NON CANADIAN RESIDENTS

The above warranty is administered by the OMC distributor in your country. Contact your dealer for the name of your OMC distributor.

BURNERS

The life of OMC burners (made of stainless steel) depends almost entirely on proper use, cleaning and maintenance. This warranty does not cover failure due to improper use and maintenance. In this event the warranty grants the owner the option of buying a new burner at the following discounts from current price. During 3rd year - 50%, 4th year - 40%, 5th year - 25%. Shipping and handling charges are the responsibility of the owner.

PORCELAIN COOKING GRIDS

Most OMC cooking grids are coated with a durable porcelain enamel to assist in cleaning and reduce the tendency of food from sticking to the grid. Porcelain is essentially a glass coating. Some chipping may occur if mishandled. This will not affect the use or performance of the grids. The grids are not warranted against chipping or rusting due to mishandling. If some rust appears, remove the rust with a scrub pad and coat the grid with cooking oil.

VAPORIZATION SYSTEMS

OMC Gas Grills are designed for use with either Ceramic Briquettes or Flav-R-Wave™ or Flav-R-Cast™ vaporization systems. Use of any other product will nullify the warranty.

BRIQUETS

Ceramic Briquettes are only to be used with the Briquette Grate supplied or specified. They are not to be used with Flav-R-Wave™ or Flav-R-Cast™. Only one layer is to be used. Place evenly.

FLAV-R-WAVE™ / FLAV-R-CAST™

The Flav-R-Wave or Flav-R-Cast is warranted against defects in materials or rust through for a period of 2 years from date of purchase. Surface rust will not affect the performance of the Flav-R-Wave™ or Flav-R-Cast™ and is not covered by the warranty. If rust appears, remove the rust with a scrub pad and coat with cooking oil.

LP GAS CYLINDER

OMC does not manufacture LP Gas Cylinders. The LP Gas Cylinder manufacturer is responsible for the materials, workmanship and performance of the cylinder. If the cylinder has a defect, malfunctions, or you have a question regarding the cylinder, contact your dealer or the cylinder manufacturer.

Voire garantie OMC entre en vigueur à la date d'achat et se limite aux réparations et remplacements de pièces défectueuses, s'il est assemblé et utilisé selon les instructions qui l'accompagnent, sous utilisation domestique seulement.

Au Canada le remplacement sera fait FAB Kit'chener. Dans tout autre pays, le remplacement sera fait FAB du distributeur OMC de votre région. (communiquer avec votre détaillant pour le nom de votre distributeur OMC).

Tout autre coût sera la responsabilité du propriétaire.

Cette garantie s'applique seulement à l'acheteur initial indiqué sur l'enregistrement de la garantie. Cette garantie ne s'applique qu'aux produits vendus au détail, dans le pays où il a été acheté (En vertu des différences de gaz d'un pays à l'autre, les soupapes, les orifices et le régulateur peuvent varier).

LA GARANTIE INCLUS

Boîtier	A l'exception de la peinture	Garanti à vie
Brileurs	Brileur Super 8 Brileur Dual- H et Brileurs ovale et tube	5 ans 5 ans 3 ans
Toutes les autres pièces	A l'exception de la bonne propane	2 ans

EXCLUSION DES LA COUVERTURE DE LA GARANTIE:

Cette garantie ne couvre pas les défaillances ou les difficultés de fonctionnement causées par les situations suivantes : un accident, abus, mauvais usage, modifications, vandalisme, installation incorrecte, entretien et service incorrects, ou manquements au niveau de l'entretien normal et habituel, y compris mais non-limité aux dommages causés par les insectes dans les tubes venturis, tel qu'indiqué dans le manuel de l'utilisateur.

La détérioration ou les dommages causés par les tempêtes, y compris la grêle, les ouragans, les tremblements de terre ou les tornades, et la décoloration causée par l'exposition directe aux produits chimiques (ou à ceux de l'air environnant), ne sont pas couverts sous cette garantie.

Les frais de déménagement ou de réinstallation. Le coût de main d'œuvre pour installation ou réparations. Les frais de service liés à la réparation à domicile. Responsabilité pour les dommages indirects.

PIÈCES DE REMPLACEMENT

Toujours utiliser "les pièces de gris à gaz authentiques OMC" pour remplacement. Cette garantie sera annulée si d'autres pièces sont utilisées.

RÉCLAMATION DE GARANTIE

Toutes les garanties sont gérées directement par OMC. Les pièces doivent être retournées, port-payé et accompagnées de la preuve d'achat (si votre barbecue n'est pas déjà enregistré), du numéro de modèle et de série, au service de garantie OMC. Si, après inspection, la pièce est jugée défectueuse, OMC la remplacera en accord avec les termes de garantie décrits ci-dessus. Dans le cas d'une lettre ou d'un fax (non pas par téléphone), OMC décidera si la ou les pièces doivent leur être retournées.

Problème			
N° télescopeur			
N° téléphone	N° pièce (voir manuel d'assemblage)		
Code postal	Nom du détaillant		
Ville, Etat/Province	Date d'achat		
Adresse	N° de série		
Nom	N° de modèle		

RÉSIDENTS NON CANADIENS La garantie ci-dessus est administrée par le distributeur OMC de votre pays. Communiquer avec votre détaillant pour le nom de votre distributeur OMC.

BRÛLEUR

L a durée de vie des brûleurs OMC (en acier inoxydable) dépend presque entièrement de leur bon usage, entretien et nettoyage.

Cette garantie ne couvre aucune panne ou difficulté de fonctionnement due à un mauvais usage ou entretien. Dans ce cas, cette garantie accorde un rabais au propriétaire pour l'achat d'un nouveau brûleur.

(50% la 1^{ère} à la 3^{ème} année, 40% la 4^{ème} année et 25% la 5^{ème} année, selon le prix courant de remplacement de la pièce).

GRILLES DE CUISSON DE PORCELAINE

La plupart des grilles de cuisson OMC sont recouvertes d'un solide émail de porcelaine pour faciliter le nettoyage et réduire les chances que la nourriture ne colle à la grille. La porcelaine est essentiellement une couche de verre. On risque d'écailler la couche si elle n'est pas manipulée avec soin. Toutefois, ceci n'aura pas d'effet sur l'emploi ou le fonctionnement des grilles. Si vous apercevez de la rouille, enlevez-la avec un tampon à récurer et enduisez la grille d'huile de cuisson.

SYSTÈMES DE VAPORISATION

Les barbecues au gaz d'OMC sont conçus pour être utilisés avec des briquettes en céramique ou les systèmes de vaporisation Flav-R-Wave™ ou Flav-R-Cast™. Cette garantie sera nulle si un autre produit était utilisé.

BRIQUETTES

Les briquettes en céramique OMC ne doivent être utilisées qu'avec la plaque à briquette fournie. N'utilisez jamais de briquettes avec le Flav-R-Wave™ ou Flav-R-Cast™. Espacez également les briquettes en une couche sur la plaque.

FLAV-R-WAVE™ ET FLAV-R-CAST™

Le Flav-R-Wave™ ou Flav-R-Cast™ est garanti contre les défauts de matériaux ou la rouille pour deux ans à compter de la date d'achat. La rouille de surface n'affectera pas la performance et n'est pas couverte par la garantie. Si vous apercevez de la rouille, enlevez-la avec un tampon à récurer et enduisez le Flav-R-Wave™ ou Flav-R-Cast™ d'huile de cuisson.

BONNE DE PROPANE

OMC ne fabrique pas de bonnes pour barbecues au gaz. Le fabricant de la bonne est responsable des matériaux, de la fabrication et de la performance de la bonne. Si la bonne est défectueuse, a un vice de fabrication ou vous avez des questions, communiquez avec votre détaillant ou le fabricant de la bonne.

LOCALISATION DE PANNES

PROBLÈME	CAUSE POSSIBLE	ACTION CORRECTIVE
<p>ODEUR DE GAZ</p> <p>FERMER IMMÉDIATEMENT LE ROBINET DE LA BONNE DE PROPANE. NE PAS UTILISER L'APPAREIL JUSQU'À CE QUE LA FUIITE SOIT SCÉLÉE</p>		
<p>Fuite détectée à la bonne, au régulateur ou autre connexion.</p> <p>Il y a un retour de flammes sous le panneau de contrôle.</p>	<p>1. Le raccord du régulateur est déserré.</p> <p>2. Fuite de gaz dans le tuyau, le régulateur ou dans la vanne de régulation.</p>	<p>1. Serrer de nouveau et vérifier s'il y a des fuites. Voir centre de service autorisé.</p> <p>2. Voir centre de service autorisé.</p>
<p>Les brûleurs ne s'allument pas.</p>	<p>1. Manque de propane.</p> <p>2. Fils de l'allumeur non connectés.</p> <p>3. L'électrode de l'allumeur est désaligné du brûleur.</p> <p>4. Fonctionnement défectueux de l'allumeur.</p> <p>5. Le régulateur n'est pas complètement connecté à la soupape du réservoir.</p> <p>6. Le contrôle du brûleur était ouvert lorsque le robinet de la bonne a été ouvert, causant l'activation du limiteur de débit.</p> <p>7. Une fuite dans le système a causé l'activation de l'appareil pour excès de circulation.</p> <p>8. Venturi bloqué.</p> <p>9. Venturi non aligné avec l'orifice de la soupape.</p> <p>10. Orifice bloqué.</p> <p>11. Le tuyau est tordu.</p>	<p>1. Faire remplir la bonne.</p> <p>2. Connecter les électrodes du brûleur principal et latéral.</p> <p>3. Aligner de nouveau l'électrode.</p> <p>4. Suivre la procédure pour « l'allumage manuel ».</p> <p>5. Serrer la roue du régulateur.</p> <p>6. Fermer les contrôles des brûleurs et du réservoir. Ouvrir la soupape du réservoir lentement, puis ouvrir le contrôle du brûleur pour allumer.</p> <p>7. Vérifier s'il y a des fuites aux connexions pour déterminer si elles sont assez serrées. Réserrez. Vérifier s'il y a des fuites.</p> <p>8. Enlever le brûleur, nettoyer le tube venturi. Voir « nettoyage et entretien ».</p> <p>9. Aligner de nouveau le venturi à l'orifice. Voir « Tubes Venturi ».</p> <p>10. Enlever le brûleur et nettoyer l'orifice avec une aiguille ou un fil en métal fin. N'utilisez pas une perceuse.</p> <p>11. Redresser le tuyau. Eloigner du fond du boîtier.</p>
<p>Chaleur moins intense, crépitements.</p>	<p>1. Manque de propane.</p> <p>2. Venturi bloqué.</p>	<p>1. Remplir de nouveau la bonne.</p> <p>2. Enlever le brûleur, nettoyer le tube venturi, voir « Tubes Venturi ».</p>
<p>Sections chaudes sur la surface de cuisson.</p>	<p>1. Les briquettes ne sont pas distribuées uniformément.</p> <p>2. Venturi bloqué.</p>	<p>1. Étendre les briquettes afin d'éliminer les « trous » et les « vides » sur la grille des briquettes, en une seule couche.</p> <p>2. Enlever le brûleur, nettoyer le tube venturi, voir « Tubes Venturi ».</p>
<p>Flambées ou feu de graisse.</p>	<p>1. Accumulation excessive de graisse sur les briquettes.</p> <p>2. Chaleur excessive.</p>	<p>1. Nettoyer les briquettes. Voir « Entretien ».</p> <p>2. Tourner le contrôle du brûleur à un réglage plus bas ou lever la grille de cuisson à la position supérieure (grilles à deux positions seulement).</p>
<p>Vrombissement du régulateur.</p>	<p>1. Robinet de la bonne ouvert trop rapidement.</p>	<p>1. Tourner le robinet plus lentement.</p>
<p>Flamme jaune.</p>	<p>1. Un peu de flamme jaune est normal. Si c'est en quantité excessive, il est possible que le venturi soit bloqué.</p> <p>2. Orifice du brûleur bloqué.</p>	<p>1. Enlever le brûleur, nettoyer le venturi. Voir « Tubes Venturi ».</p> <p>2. Enlever le brûleur et nettoyer avec une brosse à poils doux.</p>
<p>L'intérieur du couvercle semble peler.</p>	<p>1. C'est une accumulation de graisse, et non pas une détériorité de la peinture.</p>	<p>1. Nettoyer avec une brosse rigide ou un grattoir.</p>

ENTRETIEN PÉRIODIQUE

Après la cuisson, préparez votre prochaine grillade en brûlant les restes de nourriture sur la grille et les briquettes, Flav-R-Wave™ ou Flav-R-Cast™ de la façon suivante :

Grilles pour cuisson
Enlever toute la nourriture des grilles, tourner les boutons de réglage à "Hi" et faire fonctionner le barbecue avec le couvercle fermé de 5 à 10 minutes, ou jusqu'à ce qu'il n'y ait plus de fumée. Tourner le robinet de la bonne de propane à "OFF" et ensuite, les boutons de contrôle à "OFF".

Utiliser une brosse à long manche avec fils en laiton pour nettoyer les grilles. Ne pas oublier que le grill est chaud, alors porter des mitaines à four pour tenir la brosse.

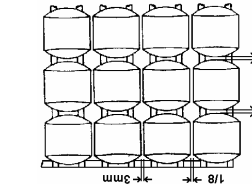
Il n'est pas nécessaire de laver les grilles après chaque grillade, mais si vous le voulez, utiliser une solution d'eau savonneuse douce, puis rincez-les bien. Ne jamais utiliser de nettoyeur commercial pour fours.

Revêtement en porcelaine

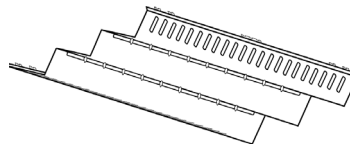
La plupart des grilles pour cuisson OMC sont recouvertes d'un solide émail de porcelaine pour faciliter le nettoyage et réduire les chances que la nourriture ne colle à la grille. On risque d'écailler la couche si elle n'est pas manipulée avec soin. Toutefois, ceci n'aura pas d'effet sur l'emploi ou le fonctionnement des grilles. Si vous apercevez de la rouille, enlevez-la avec un tampon à récurer et enduisez la grille d'huile de cuisson.

Briquettes en céramique

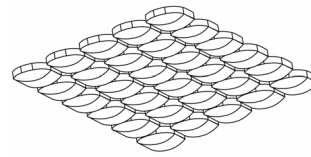
Si les restes commencent à s'accumuler sur les briquettes, enlevez les grilles et retourner les briquettes avant d'allumer le grill. Placer les briquettes côte-à-côte, en une seule couche au fond du boîtier. Le dessous des briquettes se nettoiera automatiquement pendant qu'on préchauffe le grill.



Flav-R-Wave™
Si quelques résidus commencent à s'accumuler sur le Flav-R-Wave™, enlever les grilles de cuisson et gratter l'excès avec l'arrière de votre brosse à barbecue.



Flav-R-Cast™
Les résidus peuvent être enlevés au moyen d'un linge à récurer ou d'une brosse avec fils en laiton. Appliquez une couche d'huile végétale si vous n'utiliserez pas le barbecue pendant une longue période. Le Flav-R-Cast™ est enduit de porcelaine pour faciliter le nettoyage et pour préserver la rouille. Il est possible que ce fini s'écaille s'il n'est pas manipulé avec soin. Ceci n'affecte pas sa performance. Si vous apercevez de la rouille, enlevez-la avec un tampon à récurer et enduisez la grille d'huile de cuisson.



Porte-contenant à graisse

Le porte-contenant à graisse est situé sous le boîtier, à l'extérieur de l'orifice où la graisse s'écoule. Le contenant à graisse n'est pas fourni. Cependant le porte-contenant a été conçu pour un bocal standard ou une canette à soupe. Il suffit d'enclencher ce contenant en place. Le contenant à graisse doit être vérifié et remplacé périodiquement pour empêcher la graisse de déborder.



Nettoyage Général

Retirez les grilles lorsque le barbecue est refroidi. S'il est équipé de briquettes, retournez-les. Recouvrez les briquettes, le Flav-R-Wave™ ou le Flav-R-Cast™, au trois quarts avec du papier d'aluminium, côté luisant vers le bas. Allumez les brûleurs et, avec le couvercle fermé, faites fonctionner le barbecue à haute température pour 10 minutes, ou jusqu'à ce qu'il arrête de faire de la fumée. Fermez le robinet de la bonne et ensuite les boutons de contrôle. Lorsque le barbecue est refroidi, enlevez le papier d'aluminium, les briquettes, le Flav-R-Wave™ ou le Flav-R-Cast™, grattez les côtés et passez l'aspirateur dans le fond du boîtier.

ENTRETIEN ANNUEL
Pour assurer une performance efficace et sécuritaire, cet appareil doit être inspecté et nettoyé au moins une fois par année ou après une période d'entreposage de plus d'un mois.

Brûleur
Enlever le brûleur et examiner pour des fissures ou une détérioration.

Nettoyer les tubes venturi à l'aide d'un cure-pipe ou d'une brosse venturi pour éliminer les obstructions causées par les "Venturi".

Pendant que le brûleur est enlevé, nettoyer le fond du boîtier. Les dépôts durs peuvent être enlevés avec une brosse métallique et les surfaces lavées avec de l'eau savonneuse.

Tuyau
Examiner et remplacer si nécessaire. Voir "Tuyau et Régulateur".

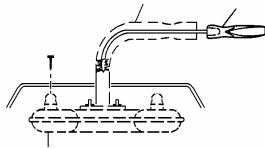
Tablettes modulaire
Laver avec de l'eau savonneuse. Enduisez d'une couche d'huile de cuisson pour rehausser le lustre.

Finis extérieur
En cas d'apparition de taches blanches de calcium, laver l'extérieur du boîtier à l'eau savonneuse douce. Bien rincer les surfaces et essuyer avec un chiffon imbibé d'huile de cuisson pour leur redonner leur lustre.

Les égratignures peuvent être retouchées avec une peinture en aérosol de qualité résistante aux températures élevées (600°F).

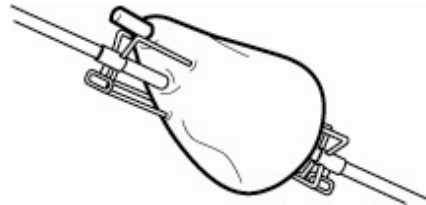
Pièces de rechange
Si un problème se présente avec le régulateur, le tuyau, le brûleur, ou les valves du panneau de contrôle, **n'essayez pas** de les réparer. Pour la réparation ou pour des pièces de rechange consultez votre marchand, un Centre de service autorisé ou contacter l'usine de fabrication. Pour une performance optimale, n'utilisez que des pièces de rechange OMC originales.

Contrôle des fuites
Après avoir branché la bonne, vérifier qu'il n'y a pas de fuites. Voir "contrôle des fuites".



COMMENT UTILISER UNE BROCHE

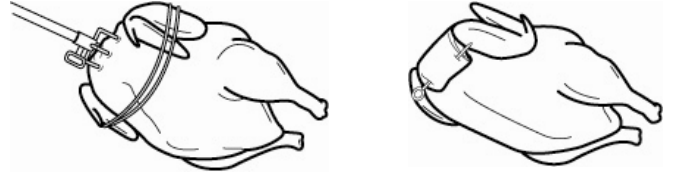
GIGOT D'AGNEAU



1. Faire scier 3 pouces d'os de la petite partie du gigot. Laisser la viande autour de l'os intacte pour former un rabat. Placer une fourchette sur la broche. Replier le rabat et filer la broche à travers le rabat et le gigot. Mettre la deuxième fourchette sur la broche et insérer les dents des deux fourchettes dans chaque bout du gigot. Tester l'équilibre. Serrer les vis.

VOLAILLE

1. Poitrine vers le bas, recouvrir la cavité avec la peau du cou. Replier et fixer la peau et placer les dents de la fourchette dans la chair du dos. Enrouler une ficelle autour de la volaille et attacher. Retourner la volaille afin que la poitrine soit vers le haut et attacher ou embrocher les ailes au corps.



2. Mettre une fourchette sur la broche. Insérer la broche dans la peau du cou, parallèle à la colonne vertébrale; sortez-la juste au-dessus de la queue. Mettre une deuxième fourchette sur la broche et insérer les dents de la fourchette dans la poitrine et la queue. Tester l'équilibre. Serrer les vis.
3. Attacher la queue avec une ficelle. Croiser les pattes et fixer à la queue.

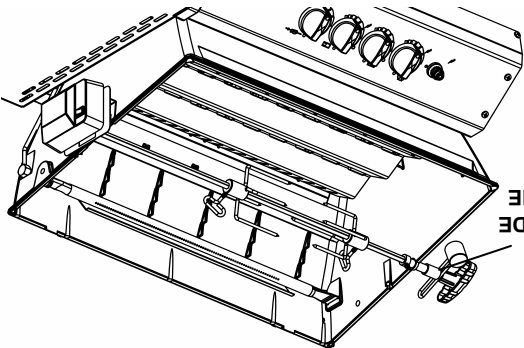
TROIS POULETS SUR UNE BROCHE



1. Attacher ou embrocher les ailes au corps. Mettre une fourchette sur la broche. Raccorder les poulets sur la broche. Enrouler une ficelle autour des queues et des pattes et attacher à la broche. Mettre la deuxième fourchette sur la broche et insérer les dents dans le poulet. Serrer les vis.

CONTREPOIDS DE TOURNEBROCHE

CONTREPOIDS DE TOURNEBROCHE



1. Déserrer la poignée du tournebroche pour que le contre poids tourne librement. Placer le tournebroche dans les coches du boîtier.
2. Ajuster le contre poids sur le côté le moins lourd du tournebroche. Serrer la poignée. Vérifier, périodiquement, que la pièce de viande tourne de manière uniforme. Ajuster le contre poids si nécessaire.

VIANDE POUR BARBECUE COMMENT UTILISER UN THERMOMÈTRE À

VERIFIER QUE LE THERMOMÈTRE NE TOUCHE PAS LA TIGE

1. La seule façon de vérifier si un gros morceau de viande est cuit est d'utiliser un thermomètre à viande. Insérez le thermomètre à un angle dans la partie la plus épaisse de la viande. Vérifiez que le thermomètre ne touche pas la tige ou un os, et qu'il n'est pas dans la graisse.
2. Laisser le thermomètre en place pendant que la viande tourne. Quand le thermomètre atteint la température désirée, la viande est cuite. Ajouter vos sauces durant les dernières minutes de la cuisson. Enlever la viande du tournebroche et attendez 15 minutes pour que la viande se raffermisse avant de trancher. Trancher et servir.



Pour le poulet: insérer le thermomètre dans la partie la plus épaisse de la cuisse, là où la cuisse rejoint le corps du poulet.



Pour un jambon ou un rôti: insérer le thermomètre dans le centre de la partie la plus pesante de la viande.

GUIDE DE CUISSON DIRECTE

	EPAISSEUR 1"	TEMPÉRATURE PAR CÔTÉ	DURÉE PAR CÔTÉ	DURÉE TOTALE
POULET	MÉDIUM /	MOYEN	3 / 3 / 3 / 3	12 MIN.
AILES DE POULET	MÉDIUM /	MOYEN/BAS	5 / 5 / 5 / 5	20 MIN.
HAMBURGER	MÉDIUM	MOYEN	3 / 3 / 3 / 3	12 MIN.
HAMBURGER S 3/4" GELÉS	MÉDIUM	MOYEN	3 / 3 / 3 / 3	12 MIN.
FILET DE POISSON	MÉDIUM	MOYEN	2 / 2 / 2 / 2	8 - 10 MIN.
QUEUE DE HOMARD	MÉDIUM	MOYEN	4 / 4 / 4 / 4	16 - 20 MIN.

CUISSON À CONVECTION (INDIRECTE)

C'est une méthode qui est idéale pour rôtir de gros morceaux de viande ou de volaille avec ou sans tournbroche. La cuisson s'effectue grâce à l'air chaud qui circule autour des aliments.

1. Pour la plupart des cuissons à convection, avec ou sans tournbroche, on recommande l'utilisation d'une lèche-frite. Placez-la sur le Flav-R-Wave™ sous le centre de la nourriture et ajoutez de 1 pouce à 1 1/2 pouce d'eau. Pour plus de saveur, ajoutez du jus de fruit, du vin ou une marinade. Ne laissez pas le liquide s'évaporer entièrement de la lèche-frite.
2. Pour la cuisson à convection, avec ou sans tournbroche, il est préférable de fermer le couvercle et de cuire à basse température. Tous les brûleurs peuvent être réglés à basse température, ou ceux des extrémités à "moyen" et celui/ceux du milieu à "OFF". En mettant le brûleur central à "OFF" on évite que les jus de cuisson de la lèche-frite s'évaporent.
3. Avant de placer la viande sur le barbecue, badigeonnez-la d'huile végétale pour qu'elle devienne plus dorée.
4. Une cuisson indirecte sans lèche-frite n'est pas recommandée. Si vous le faites, portez une attention particulière car les jus de cuisson pourraient causer un feu de graisse.
5. Utiliser des mitaines de four aux alentours du barbecue pour éviter des blessures corporelles.
6. Fermer le barbecue et laisser refroidir avant de retirer la lèche-frite. La graisse est très inflammable et doit être manipulée avec soin pour éviter des blessures graves.
7. Pour la cuisson des rôtis et volailles à convection et sans tournbroche, placez-les dans un support pour rôtis, directement sur les grilles de cuisson.

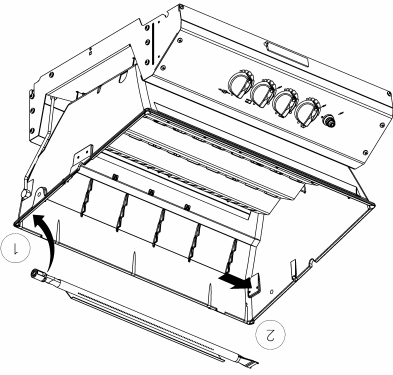
GUIDE POUR LA CUISSON À CONVECTION ET AU TOURNEBROCHE

RÔTI DE BOEUF	3-6 LB	MOYEN/BAS	2 - 4 HEURES
RÔTI DE BOEUF	6-10 LB	MOYEN/BAS	3 - 5 HEURES
RÔTI DE PORC	2-5 LB	MOYEN/BAS	2 - 4 HEURES
RÔTI DE PORC	6-10 LB	MOYEN/BAS	3 - 5 HEURES
DINDE OU POULET	2-5 LB	MOYEN/BAS	2 - 4 HEURES
DINDE OU POULET	5-10 LB	MOYEN/BAS	3 - 5 HEURES

Avec un tournbroche, régler la température à moyen/élevé.

CUISSON AVEC BRÛLEUR ARRIÈRE

Certains modèles comportent un brûleur arrière pour la cuisson au tournbroche. C'est la méthode idéale pour cuire des rôtis et des volailles. Avec la source de chaleur située derrière la nourriture, il n'y a aucune chance que le repas brûle ou soit gâché par des flambées de graisse. Cuisinez en toute confiance en sachant que vous aurez toujours des résultats parfaits. Un plat en aluminium ou une lèche-frite, placés sous la broche, permettra de recueillir les jus pour arroser les aliments ou pour préparer une sauce.



Le brûleur arrière est muni d'un ressort et peut être facilement enlevé quand il n'est pas utilisé. Veuillez vous référer à la page 6 pour les instructions d'allumage du brûleur arrière.

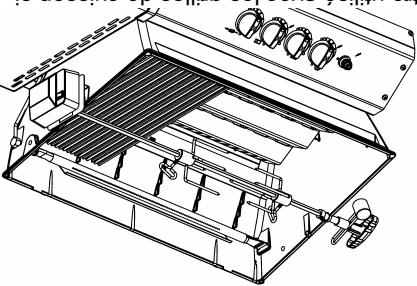
GUIDE DE TEMPÉRATURE POUR VIANDES ET VOLAILLES

SAIGNANT		MÉDIUM		BIEN CUIT	
BCUFA/AGNEAU/EAU	130°F / 55°C	145°F / 63°C	160°F / 70°C	PORC	150°F / 65°C
VOLAILLE	170°F / 77°C				170°F / 77°C

Pour de meilleurs résultats utiliser un thermomètre à viande.

CUISSON AU TOURNEBROCHE

1. Le tournbroche suit les étapes décrites à la section de cuisson à convection.



1. Le tournbroche peut accommoder jusqu'à 15 lbs (7 kg) limité seulement par l'espace de rotation libre. Pour de meilleurs résultats, disposez la viande au centre de la broche afin qu'elle soit bien équilibrée.
2. Le tournbroche peut être utilisé avec les grilles de cuisson si l'espace le permet.
3. Bien attacher la viande sur la broche avant de la placer sur le grill. En ce qui concerne la volaille, bien attacher les ailes et pattes, afin d'éviter qu'elles ne viennent en contact avec la lèche-frite.

Brûlage. Avant de cuisiner pour la première fois avec votre barbecue au gaz, allumez-le pour éliminer toute odeur ou corps étranger qui pourraient être présents en procédant comme suit: Enlever toutes les grilles de cuisson et la grille de réchaud et les nettoyer avec de l'eau savonneuse. Allumer les brûleurs, fermer le couvercle et laisser en marche pendant **20 minutes** avec les boutons de contrôle ouverts réglés à température "MED/HI". Fermer la source de gaz. Remettre les boutons de contrôle à la position d'arrêt "OFF". Laisser refroidir l'appareil et remettre toutes les grilles à leur place. Vous êtes maintenant prêts à utiliser votre barbecue.

Préchauffage. Avant la cuisson, il est nécessaire de préchauffer le barbecue, couvercle fermé, pour une période de 10 minutes à "MED/HI". Réduire la chaleur selon les aliments à griller. À l'aide d'une brosse en métal, nettoyer les grilles et ensuite utiliser un vaporisateur ou une brosse pour enduire les grilles d'huile d'olive ou végétale, afin que les aliments n'adhèrent pas aux grilles.

Position du couvercle. La position du couvercle durant la cuisson est une question de préférence personnelle. Cependant, il faut noter qu'avec le couvercle fermé, la cuisson se fait plus rapidement, le barbecue utilise moins de gaz et la température est mieux contrôlée. Un couvercle fermé donne aussi un goût plus fumé aux viandes cuites directement sur les grilles et est aussi indispensable pour la fumaison ou la cuisson à convection.

Système de vaporisation. Votre barbecue est conçu pour fonctionner avec le système de vaporisation Flaw-R-Wave™ (inclus avec l'appareil). N'utilisez pas de pierres de lave, de briquettes en céramique ou tout autre système de vaporisation autre que celui fourni avec votre barbecue.

TEMPÉRATURES DE CUISSON

Réglage élevé. La température à la surface des grilles est d'environ 600 – 650 F (320 – 340 C). Cette température est utilisée pour chauffer rapidement le grill ou enlever les résidus d'aliments des grilles à la fin de la cuisson. Cette température est idéale pour saisir des steaks avant de réduire la température. L'option de cuisson à "HI" n'est que rarement utilisée et ne convient pas à de longues périodes de cuisson.

Réglage moyen/élevé. La température à la surface des grilles est d'environ 550 F (290 C). Cette température est utilisée pour le réchauffement du grill et pour la cuisson de steaks et de côtelettes. **Réglage moyen.** La température à la surface des grilles est d'environ 450 F (230 C) avec le couvercle fermé. Ce réglage est idéal pour la plupart des grillades telles volaille, hamburgers, légumes, rôtis et cuisson au four.

Réglage bas. La température à la surface des grilles est d'environ 310 - 350 F (155 - 175 C). Ce réglage est idéal pour la fumaison, pour la pâte et la pâtisserie comme la pizza ou des quesadillas.

Ces températures ne sont qu'approximatives et varient selon la température ambiante et la force du vent à proximité du barbecue lors de la cuisson.

La cuisson directe est une méthode de cuisson des aliments directement sur les grilles. Cette méthode est la plus populaire pour cuire des steaks, des côtelettes, du poisson, des hamburgers, des brochettes et des légumes.

CUISSON DIRECTE

1. Préparer la nourriture en avance pour éviter les délais et pour mieux planifier la durée de cuisson. Si vous utilisez des marinades et des épices, appliquez-les avant de placer la viande sur les grilles de cuisson. Badigeonner la viande de 2 à 4 minutes avant la fin de la cuisson pour éviter qu'elle ne brûle.

2. Pour éviter d'avoir à quitter l'aire de votre barbecue, assurez-vous d'avoir des fourchettes, des pinces, des mitaines, votre sauce et vos assaisonnements à proximité.

3. La viande doit être à la température de la pièce avant la cuisson. Ôter le surplus de graisse pour minimiser les flambées causées par la fonte de la graisse.

4. Avant la cuisson, préchauffer le barbecue à la température désirée, couvercle fermé.

5. Enduire les grilles de cuisson avec de l'huile végétale ou d'olive pour éviter que les aliments ne collent aux grilles.

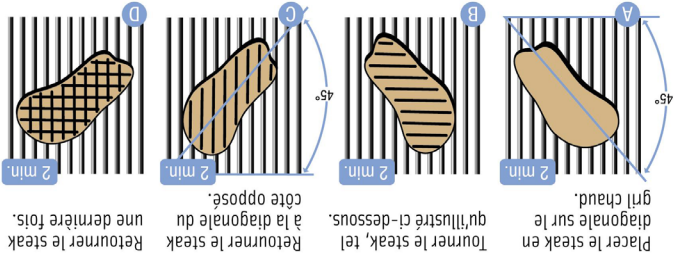
6. Éviter d'utiliser du sel pour la cuisson de viandes sur le barbecue. La viande sera plus juteuse si vous ajoutez du sel après la cuisson.

7. Pour prévenir que les steaks ne deviennent "secs", utiliser des pinces au lieu d'une fourchette et commencer la cuisson à "MED-HI" pour bien saisir la viande et sceller la saveur. Réduire la température et allonger la durée de cuisson pour les tranches de viande plus épaisses.

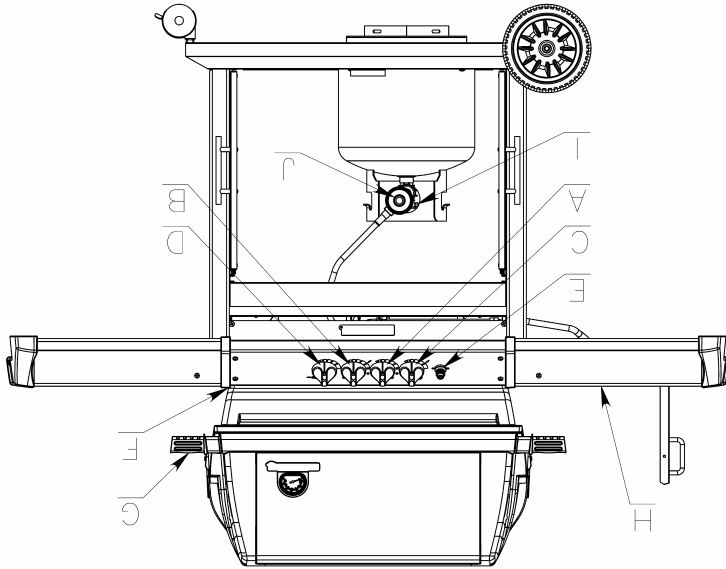
8. Apprenez à vérifier si la viande est à point en tenant compte de la durée de cuisson et sa fermeté. La viande s'affermi lorsqu'elle cuit. Une viande tendre est saignante et plus ferme lorsqu'elle est bien cuite.

9. Suivre le guide de cuisson du steak parfait pour la plupart des viandes, poissons, volaille et légumes.

Guide de cuisson du steak parfait



Épaisseur De La Viande	Température	Minutes Par Côté	Temps total
1 1/2"	Élevée	A 3/4 B 1 3/4 C 1 3/4 D 1 3/4	7 minutes
Saignant	Élevée	A 3/4 B 1 3/4 C 1 3/4 D 1 3/4	7 minutes
Méd/Saignant	Moyenne/Élevée	A 2 B 2 C 2 D 2	8 minutes
Méd/Saignant	Moyenne/Élevée	A 2 B 2 C 2 D 2	8 minutes
Méd/Saignant	Moyenne/Élevée	A 2 1/2 B 2 1/2 C 2 1/2 D 2 1/2	10 minutes
Médium	Moyenne	A 3 B 3 C 3 D 3	12 minutes
Bien Cuit	Moyenne	A 3 1/2 B 3 1/2 C 3 1/2 D 3 1/2	14 minutes
Bien Cuit	Moyenne	A 3 1/2 B 3 1/2 C 3 1/2 D 3 1/2	14 minutes

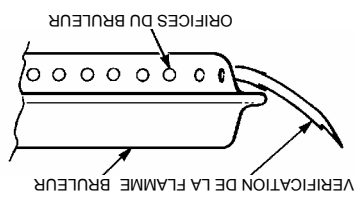


1. L'appareil doit être entièrement assemblé selon les instructions détaillées d'assemblage.
2. S'assurer que la bonnone de gaz est pleine et bien connectée au régulateur.
3. S'assurer qu'il n'y a pas de fuites de gaz dans le système d'alimentation de gaz. Voir "Contrôle des Fuites"
4. S'assurer que les tubes venturi sont placés correctement au-dessus des orifices des soupapes de gaz des brûleurs.
5. S'assurer que les fils pour allumer le brûleur principal et le brûleur latéral sont connectés.
6. Lire attentivement toutes les instructions figurant sur la fiche de renseignements du barbecue.
7. **AVERTISSEMENT : Ouvrir le couvercle avant l'allumage.**
8. Placer les boutons de réglage à la position d'arrêt "OFF" et ouvrir le robinet de gaz de la bonnone.
- 9a. **Pour le brûleur principal**

Pousser l'un des deux boutons de réglage et tourner au réglage maximum "Hi". Appuyer (ou tourner) 3 ou 4 fois sur le bouton d'allumage ou allumer avec une allumette. Le brûleur devrait s'allumer dans les 5 prochaines secondes. (Il sera peut être plus facile d'allumer avec le bouton de réglage de droite ou avec les deux boutons de réglage tournés à l'indication de chaleur moyenne "Medium".)

Remarque : Allumage à l'allumette Suivre les étapes 1 à 8 ci-dessus. Insérer une allumette allumée dans l'orifice d'allumage situé en bas à droite du boîtier. Pousser le bouton de réglage de droite à "Hi". Le brûleur devrait s'allumer dans les 5 prochaines secondes. Après avoir allumé le brûleur droit, pousser le bouton de réglage de gauche à "Hi". Le brûleur s'allumera automatiquement.

- 9b. **Pour le brûleur latéral:**
Pousser le bouton de réglage et le tourner au réglage maximum "Hi". Appuyer (ou tourner) 3 à 4 fois sur le bouton d'allumage. Le brûleur devrait s'allumer dans les 5 prochaines secondes. **Remarque :** Allumage à l'allumette Suivre les étapes 1 à 8 ci-dessus. Placer une allumette allumée près des orifices du brûleur latéral. Pousser le bouton de réglage à la position "Hi". Le brûleur devrait s'allumer dans les 5 secondes suivantes.
- 9c. **Pour le brûleur à rôtisserie arrière:**
Attention : Ne pas faire fonctionner le brûleur principal en même temps que le brûleur arrière, un feu de graisse ou des dommages au barbecue pourraient résulter.
Attention : Le brûleur arrière doit être en place avant de tourner le bouton de réglage.
ENLEVER LA GRILLE DE RÉCHAUD.
Suivre les étapes 1 à 8 ci-dessus.
Placer une allumette allumée près des orifices du brûleur arrière.
Pousser et tourner le bouton de réglage à "Hi".
Brûleur devrait s'allumer dans les 5 secondes suivantes.
Il est important de placer l'allumette près des orifices du brûleur **AVANT** de tourner le bouton de contrôle du brûleur.
10. **Attention - Vérifiez votre barbecue une fois allumé.**
Les flammes provenant des orifices du brûleur devraient mesurer environ 2,5 cm de hauteur au réglage maximum "Hi".



Si l'un des problèmes suivants se produit, les tubes venturi sont probablement bloqués. Fermer le gaz immédiatement et nettoyer les tubes venturi. Voir "Tubes Venturi".

1. Une odeur de gaz.
2. Un retour de flamme se produit.
3. Le barbecue ne cuit pas uniformément.
4. Les brûleurs émettent des crépitements.

SI LE BRÛLEUR NE S'ALLUME PAS:

1. Pousser et tourner le bouton de réglage à la position d'arrêt "OFF". Attendre 5 minutes, puis essayer de nouveau avec le bouton de réglage de droite ou avec les deux boutons de réglage tournés à chaleur moyenne "Medium".
2. Si un brûleur ne s'allume pas, consulter la section "Localisation de Pannes" du manuel. Si le problème ne peut pas être résolu, ne pas essayer de faire fonctionner l'appareil; contacter votre détaillant ou un centre de service autorisé.

FERMETURE

1. Fermer le robinet de la bonnone à "OFF".
2. Tourner les boutons de réglage du panneau de contrôle à "OFF".

CONTRÔLE DES FUITES

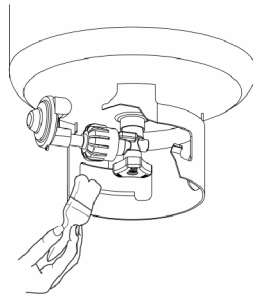
Toutes les connexions fabriquées en usine ont été testées pour des fuites de gaz. Toutefois, à l'expédition et à la manutention un raccord pourrait s'être desserré.

MESURES DE PRÉCAUTION:

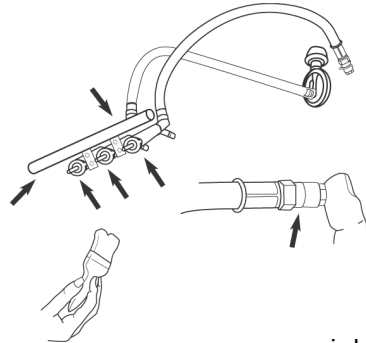
- VÉRIFIER TOUTES LES CONNEXIONS POUR FUITES AVANT D'UTILISER VOTRE BARBECUE AU GAZ.
- VÉRIFIER LA SOUPAPE DE LA BONNE POUR DES FUITES POSSIBLES À CHAQUE REMPLISSAGE.
- VÉRIFIER POUR DES FUITES DE GAZ POSSIBLES À CHAQUE FOIS QU'UN RACCORD DE GAZ EST DÉBRANCHÉ ET REBRANCHÉ.
- NE PAS FUMER !
- NE JAMAIS TESTER LES FUITES DE GAZ EN TENANT UNE ALLUMETTE ALLUMÉE OU AUTRE SOURCE DE FLAMME.
- LE TEST DE FUITES DE GAZ DOIT ÊTRE EFFECTUÉ À L'EXTÉRIEUR.

VÉRIFICATION DES FUITES DE GAZ:

1. Éteindre toutes flammes ou cigarettes dans les environs.
2. S'assurer que les soupapes de la bonne et de l'appareil sont fermées.
3. Connecter la bonne de propane. Voir "Tuyau et Régulateur".
4. Préparer une solution savonneuse (quantités égales d'eau et de détergent liquide pour la vaisselle).
5. Ouvrir lentement le robinet de la bonne pleine.
6. À l'aide d'un pinceau, brosser chaque raccord avec la solution savonneuse.



- Si votre barbecue est équipé d'un brûleur latéral ou d'un brûleur à rôtisserie:
- a. Mettre le bout d'un doigt sur l'ouverture de l'orifice à l'extrémité du tuyau.
 - b. Tourner le bouton de commande du brûleur latéral "SIDE/REAR" à la position "HI".
 - c. Brosser chaque raccord entre l'orifice et le bouton de commande avec la solution savonneuse.
 - d. Tourner le bouton de commande "SIDE/REAR" à la position d'arrêt "OFF".



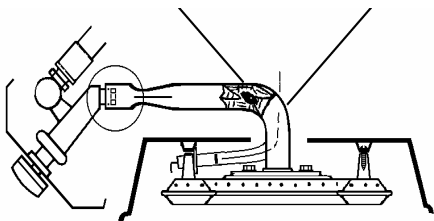
7. Si la solution fait des bulles, il y a une fuite.
8. Si une fuite est détectée, fermer le robinet d'arrêt de la bonne, reserrer la connexion et retester. (Étape N° 5).
9. Si la fuite persiste, communiquez avec votre détaillant de barbecues pour assistance. Ne pas essayer de faire fonctionner l'appareil s'il y a une fuite.

TUBES DE VENTURI

GARDER LES TUBES VENTURI PROPRES

- Les obstructions causées par les toiles d'araignée et nids d'insectes peuvent causer un feu de retour de flamme.

Même s'il est possible d'allumer le grill, le gaz accumulé dans les conduits peut s'enflammer et incendier les tubes venturi et le tableau de contrôle.



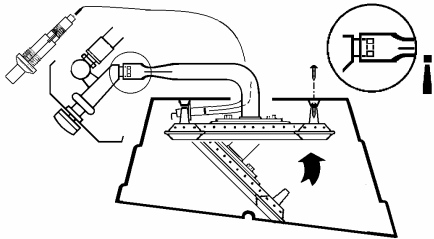
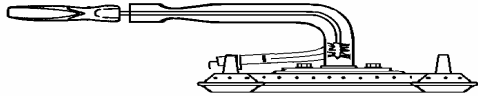
- Si un feu de retour de flamme a lieu, fermer immédiatement le gaz à la source.

Il est recommandé d'inspecter et de nettoyer les tubes venturi si l'un des problèmes suivants survient:

1. Une odeur de gaz.
2. Le barbecue n'atteint pas la température désirée.
3. Le barbecue ne cuit pas uniformément.
4. Les brûleurs émettent des crépitements.

INSPECTION ET NETTOYAGE DES TUBES VENTURI

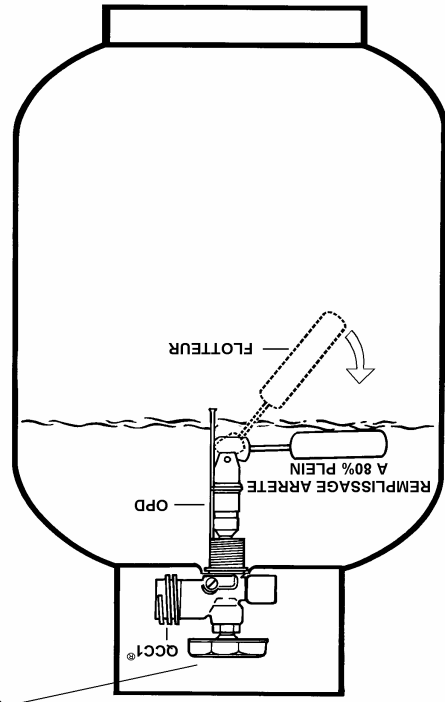
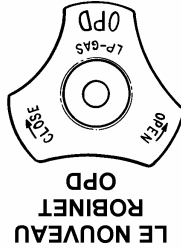
1. Fermer la source de gaz du barbecue, c.-à-d. la bonne, ou la conduite d'alimentation de gaz naturel.
2. Lorsque le barbecue est refroidi, enlever les attaches de retenue des brûleurs de dessous et, lever le brûleur du fond du boîtier.
3. Nettoyer les tubes venturi avec une brosse à bouteille ou avec une brosse venturi (accessoire n° #18270).
4. Replacer le brûleur en position au fond du boîtier en vous assurant que les tubes venturi soient correctement alignés et ajustés sur les orifices.
5. Fixer le brûleur avec les attaches de retenue appropriées.



SYSTEME DE PREVENTION DE TROP-PLEIN

La norme pour les appareils au gaz, ANSI Z21.58/CAN/GA-1.6 exige qu'ils doivent être utilisés avec les bonnones équipées d'un système de prévention de trop-plein ou "Overfill Prevention Device" (OPD).

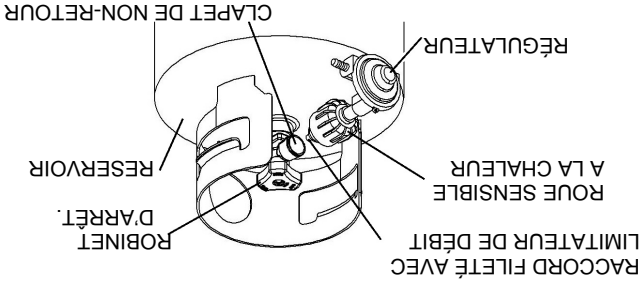
L'OPD a été conçu pour réduire la possibilité de remplissage excessif de la bonbonne, diminuant la possibilité qu'une soupape de sûreté dégage du propane brut. Avec l'OPD, la purge et le remplissage sont plus lents. Certains postes de remplissage ont indiqué aux consommateurs que les bonnones étaient défectueuses. Ce n'est pas le cas. Il est possible que certains détaillants de propane ne connaissent pas cette nouvelle mesure et son effet sur la purge et le remplissage. Le système de prévention du trop-plein (OPD) utilisé sur les nouvelles bonnones permet d'atteindre une plus grande quantité de BTU et ainsi diminuer le temps requis pour la purge. Pour identifier ces bonnones, la forme du robinet OPD est standard, telle que démontrée ci-dessous.



Tous les modèles sont équipés d'un tuyau et d'un régulateur avec un raccord pour connexion rapide QCC®-1. Le raccord QCC comprend un appareil magnétique qui limite le débit du gaz si une fuite se développait entre le régulateur et la soupape du barbecue. Ce mécanisme sera activé si le robinet de la bonbonne est ouvert quand les contrôles du barbecue sont déjà ouverts. Pour empêcher l'activation accidentelle, assurez-vous que les contrôles du barbecue sont en position "fermer" avant que le robinet de la bonbonne soit ouvert.

RACCORDEMENT

1. S'assurer que le robinet de la bonbonne et que l'appareil sont fermés.



2. Placer la bonbonne de gaz propane sur le support à

bonne sur la base de l'appareil.

3. Centrez le raccord du régulateur sur le clapet de la bonbonne et tenir en place. En utilisant l'autre main, tournez la roue du régulateur dans le sens des aiguilles d'une montre jusqu'au bout. N'utilisez pas d'outils. Serrez à la main seulement.

En effectuant la connexion, assurez-vous de placer le régulateur parfaitement horizontalement avec le clapet de la bonbonne de propane, pour assurer un raccord parfait.

4. Vérifiez qu'il n'y a pas de fuite. Voir « Contrôle de fuites » Voir les instructions d'allumage. Pour éviter d'activer le

limitateur de débit, vérifiez que les contrôles du barbecue sont fermés et ouvrez le robinet de la bonbonne lentement. Si le limitateur de débit est activé accidentellement, fermez le robinet de la bonbonne et les contrôles du barbecue, attendez que le limitateur se réajuste, environ 10 secondes et ouvrez le robinet de la bonbonne lentement, et ouvrez ensuite les contrôles du barbecue.

Le raccord QCC incorpore une roue sensible à la chaleur qui fera le module arrière dans la soupape QCC® du réservoir de la bonbonne, s'il détecte des températures entre 240° et 300° F. Si cette situation se produit, ne tentez pas de reconnecter la roue. Désassemblez le tuyau et le régulateur au complet et remplacez-les par de nouvelles pièces.

3. Le régulateur de pression est réglé à l'usine à une pression de 11 po. CE (colonne d'eau). Les accouplements du tuyau et le tuyau sont conformes à la Norme CGA CAN 1.83. Ne tentez pas de les modifier ou de les substituer.

4. Protégez le tuyau des graisses de cuisson, et ne laissez pas le tuyau toucher à aucune surface chaude, y compris le fond du boîtier du barbecue.

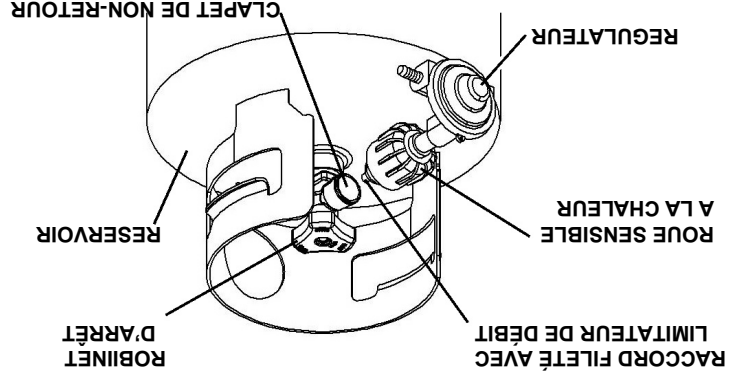
5. Inspecter l'étanchéité du joint dans le raccord QCC à chaque fois que vous remplacez la bonbonne, ou au minimum une fois par année. Remplacez le joint si vous observez des fissures, des faux plis ou des abrasions. Si vous observez des fissures, des coupures, des abrasions ou quelque dommage que ce soit, n'utilisez pas l'appareil.

7. Pour une réparation ou le remplacement de l'assemblage régulateur/tuyau, communiquez avec le service à la clientèle au 1-800-265-2150 ou à info@omcbbq.com.

BONBONNE DE GAZ PROPANE

QCC®-1 RACCORD À FERMETURE RAPIDE

- Tous modèles de barbecues au gaz ont été conçus pour être utilisés avec une bonbonne de gaz propane équipée du nouveau système QCC®-1 (raccord à fermeture rapide).
- Le système QCC®-1 contient les nouveaux dispositifs de sûreté exigés par la American National Standards Institute (ANSI) et le Conseil canadien des normes.
- Le gaz circule seulement si une connexion positive est établie.
 - Un élément thermo-sensible arrête le débit du gaz entre 240° et 300° F.
 - Lorsque activé, un limitateur de débit, limitera le débit du gaz à 10 pi³/h.



SPÉCIFICATIONS:

1. Toutes les bonbonnes de gaz propane utilisées avec cet appareil doivent être fabriquées et identifiées tel qu'indiqué dans la norme "LP gaz cylinders" du U.S. Department of Transportation (D.O.T.) ou de la norme nationale canadienne, CAN/CSA-B339 "Bouteilles et tubes pour le transport des marchandises dangereuses", selon le cas.
 2. La bonbonne utilisée avec cet appareil doit avoir une capacité maximale 20 lbs (9kg). Taille approximative : 18po(46cm) de haut et 12po (31cm) de diamètre.
 3. Toutes les bonbonnes utilisées avec cet appareil doivent être inspectées à chaque remplissage et doivent être qualifiées par un magasin de service licencié à la date d'expiration indiquée sur le réservoir (10 ans), conformément aux règlements pour réservoirs de gaz de la C.C.T (Canada) et du D.O.T (États-Unis).
 4. Tous les réservoirs utilisés avec cet appareil doivent être munis d'un robinet d'arrêt se raccordant à un robinet de réglage N° 510 pour bonbonne, comme spécifié par la « Standard for Compressed Gas Cylinder Valve Outlet and Inlet Connection » (E-U) ANSI/CGA-V-1-1977 (Canada) CSA B96.
- Le système d'alimentation du réservoir doit permettre à la vapeur de s'échapper.

FONCTIONNEMENT:

1. Ne jamais brancher votre appareil à une bonbonne sans utiliser le régulateur fourni et n'utilisez **JAMAIS UNE SOURCE DE GAZ PROPANE NON MUNIE D'UN RÉGULATEUR DE PRESSION.** Le régulateur de gaz fourni avec l'appareil doit toujours être utilisé.
2. **Toujours** effectuer un contrôle de fuites quans vous connectez la bonbonne au régulateur lorsque vous installez la bonbonne au barbecue. Voir la section "Contrôle des fuites".
3. **Ne jamais** faire fonctionner l'appareil s'il y a une odeur de gaz. Éteindre toute flamme et déterminer la source de l'odeur de propane avant de continuer. **Ne pas** allumer l'appareil tant que la fuite n'a pas été repérée et réglée.
4. **Toujours** fermer le robinet de la bonbonne quand l'appareil n'est pas utilisé.

ENTREPOSAGE :

1. Toujours conserver la bonbonne de gaz à l'extérieur dans un endroit bien aéré.
2. Ne pas entreposer de bonbonne de gaz en plein soleil ou près d'une source de chaleur.
3. Si vous désirez ranger l'appareil à l'intérieur, il faut débrancher et enlever la bonbonne. Installez un bouchon anti-pousière sur votre bonbonne déconnectée. Ne jamais ranger une bonbonne pleine à l'intérieur d'un bâtiment, d'un garage ou tout autre espace clos.
4. Gardez hors de la portée des enfants.
5. Si vous laissez la bonbonne branchée à l'appareil pour l'entreposage, vous devez les ranger à l'extérieur dans un endroit bien aéré.

MANUTENTION:

1. Les règlements gouvernementaux interdisent l'expédition de réservoirs de propane pleins. Il faut donc faire remplir votre nouveau réservoir chez un détaillant de gaz propane.
 2. Les règlements gouvernementaux interdisent l'expédition de réservoirs de propane pleins. Il faut donc faire remplir votre nouveau réservoir chez un détaillant de gaz propane.
 3. Ne pas incliner la bonbonne lorsque vous la branchez au régulateur. Il faut bien fixer la bonbonne lors du transport, de l'utilisation ou de l'entreposage.
 4. Si le réservoir est incliné après son branchement au régulateur, il faut fermer le gaz, débrancher le régulateur et le faire vérifier avant de l'utiliser à nouveau.
- Le réservoir doit inclure un rebord pour protéger le robinet d'arrêt.
- La bonbonne doit être installée conformément aux instructions d'assemblage.
- Ne jamais remplir le réservoir à plus de 80%, un incendie causant de sérieuses blessures ou la mort pourrait survenir.
- La bonbonne doit être munie d'un robinet de sûreté et de décharge directement relié à la phase gazeuse à l'intérieur du réservoir.

2
 Votre nouveau barbecue est un appareil sécuritaire et pratique s'il est assemblé et utilisé correctement. Néanmoins, comme avec tous les produits fonctionnant au gaz, certaines mesures de sécurité doivent être observées. L'observation de ces mesures de sécurité pourrait causer des dommages ou blessures. Si vous avez des questions en ce qui concerne l'assemblage ou le fonctionnement, veuillez consulter votre marchand, technicien d'appareils à gaz, votre compagnie distributrice de gaz ou notre service à la clientèle au 800-265-2150.

MESURES DE SÉCURITÉ	
<ul style="list-style-type: none"> • S'il y a une odeur de gaz: <ol style="list-style-type: none"> 1. Coupez l'admission de gaz de l'appareil. 2. Éteindre toute flamme nue. 3. Ouvrir le couvercle. 4. Si l'odeur persiste, éloignez-vous de l'appareil et appelez immédiatement le fournisseur de gaz ou le service d'incendie. 	<p>Ne pas entreposer ni utiliser de l'essence ni d'autres vapeurs ou liquides inflammables dans le voisinage de l'appareil, ni de tout autre appareil.</p> <p>Une bouteille de propane qui n'est pas raccordée en vue de son utilisation, ne doit pas être entreposée dans le voisinage de cet appareil ou de tout autre appareil.</p>

ATTENTION

- UTILISER À L'EXTÉRIEUR SEULEMENT.
 - POUR L'ENTREPOSAGE À L'INTÉRIEUR, DÉTACHER ET RANGER LA BONBONNE À L'EXTÉRIEUR.
 - NE PAS FAIRE FONCTIONNER CET APPAREIL SANS SURVEILLANCE.
 - PRENEZ LES PRÉCAUTIONS NÉCESSAIRES POUR TENIR LES JEUNES ENFANTS ÉLOIGNÉS DES SURFACES CHAUFFÉES.
- Soyez prudent lorsque vous déplacez l'appareil. Les angles métalliques peuvent être coupants. Utilisez des gants appropriés pour soulever ou déplacer le barbecue. Avant de soulever le barbecue, prenez soin de retirer les tablettes latérales et les grilles de cuisson.
- ## PRÉCAUTIONS À PRENDRE AVEC L'ÉLECTRICITÉ

1. Si vous vous servez d'un appareil électrique nécessitant une source d'alimentation extérieure, l'accessoire doit être mis à la terre conformément aux codes locaux ou en l'absence de ceux-ci, conformément aux normes suivantes :
 - (Canada) CSA C22.1 Code canadien de l'électricité et (E.-U.) ANSI/NFPA 70 Dernière édition
 2. Ne pas couper ou enlever la broche de masse de la fiche électrique.
 3. Tenir le fil électrique et le tuyau d'alimentation de combustible éloignés de toute surface chauffée.
- ## AVERTISSEMENT

Les combustibles qui sont utilisés dans les appareils qui fonctionnent à l'huile ou au gaz et leurs produits de combustion contiennent des produits chimiques qui, selon des recherches effectuées par l'état de la Californie, causent le cancer, des anomalies congénitales et autres anomalies du système reproducteur. "Cet avertissement est émis en vertu de la California Health and Safety Code Sec. 25249.6"

1. Au Canada, cet appareil doit être installé conformément au code local et à la norme CSA applicable:
 - CSA-B149.1 Code d'installation des appareils au gaz Naturels et Propane

Aux États-Unis, cet appareil doit être installé conformément au code local et aux normes nationales pertinentes :

ANSI Z223.1/NFPA 54 - Dernière Édition du Code de Gaz National et des codes locaux, s'il y a lieu

2. L'appareil doit être situé à plus de 76cm/30" de chaque côté et à plus de 76cm/30" à l'arrière de toute surfaces combustible.



3. NE PAS UTILISER cet appareil sous une toiture ou sous un feuillage.
4. Cet appareil est conçu pour être UTILISÉ À L'EXTÉRIEUR SEULEMENT. NE PAS UTILISER dans un garage, une remise, sur un balcon ou autre endroit clos.
5. NE PAS RESTREINDRE la circulation d'air à l'appareil. Garder les environs de l'appareil libres de matières combustibles, d'essence et de tout liquide et vapeur inflammables.
7. Cet appareil n'est pas conçu pour être installé sur ou dans un véhicule récréatif ou un bateau.

LE PLACEMENT DES BONBONNES DE GAZ PROPANE

8. Les bonbonnes de gaz propane doivent être installées selon les instructions d'assemblage en utilisant les supports fournis. N'entrezposez jamais une bonbonne de recharge à proximité du barbecue.

BARBECUE AU GAZ



MANUEL DE L'UTILISATEUR

UTILISATION AVEC GAZ PROPANE



ANSI Z21.58B-2006 / CSA 1.6b-2006

TABLE DES MATIÈRES

SÉCURITÉ	2
INSTALLATION	2
BONBONNE DE GAZ PROPANE	3
BONBONNE OPD	4
TUYAU ET RÉGULATEUR	4
TUBES VENTURI	5
CONTRÔLE DES FUITES	5
ALLUMAGE	6
FONCTIONNEMENT	7
TECHNIQUES DE CUISSON	7
ENTRETIEN	10
LOCALISATION DE PANNES	11
GARANTIE	12

Veillez noter vos numéros de modèle et de série ici.

Numéro de modèle

Numéro de série

Date d'achat



LIRE ATTENTIVEMENT AVANT D'UTILISER LE BARBECUE
GARDER CES INSTRUCTIONS POUR RÉFÉRENCE FUTURE

1-800-265-2150
info@omcbqb.com





GAS BARBECUES

OWNER'S MANUAL

Broil King

STERLING

broil-mate™

FOR USE WITH NATURAL GAS



ANSI Z21.58b-2006 / CSA 1.6b-2006

CONTENTS

SAFETY2

INSTALLATION2

NATURAL GAS3

GAS SUPPLY HOSE4

VENTURI TUBES4

LEAK TESTING5

LIGHTING6

OPERATION7

COOKING TECHNIQUES.....7

MAINTENANCE10

TROUBLE SHOOTING.....11

WARRANTY.....12



Please record your model and serial number here.

_____ Model number

_____ Serial number

_____ Date of purchase

READ ALL INSTRUCTIONS CAREFULLY BEFORE OPERATING YOUR GAS BARBECUE

RETAIN THESE INSTRUCTIONS FOR FUTURE REFERENCE

1-800-265-2150
info@omcbbq.com

Onward
MANUFACTURING COMPANY
 SINCE 1906
 585 KUMPF DRIVE LIMITED
 WATERLOO, ONTARIO, CANADA
 N2V 1K3

10094-NG REV D 01/08

SAFETY

Your new OMC gas grill is a safe, convenient appliance when assembled and used properly. However, as with all gas-fired products, certain safeguards must be observed. **Failure to follow these safeguards may result in damage or injury.** If you have questions concerning assembly or operation, consult your dealer, gas appliance serviceman, your gas company or our direct customer service line at 800-265-2150.

FOR YOUR SAFETY

- If you smell gas:
 1. Shut off gas to the appliance.
 2. Extinguish any open flame.
 3. Open lid.
 4. If odour continues, keep away from the appliance and immediately call your gas supplier or your fire department.

DO NOT store or use gasoline, or other flammable vapours and liquids in the vicinity of this or any other appliance.

CAUTION

- FOR OUTDOOR USE ONLY.
- IF STORED INDOORS, DETACH AND LEAVE CYLINDER OUTDOORS.
- THIS APPLIANCE MUST NOT BE OPERATED UNATTENDED.
- SPECIAL CARE MUST BE TAKEN TO KEEP SMALL CHILDREN AWAY FROM HEATED SURFACES.

Use caution when handling or transporting this product. Metal edges can present a hazard. Use appropriate gloves when lifting or handling. Before lifting, remove side shelves and grids and grates.

ELECTRICAL CAUTION

1. If any accessory is used on this appliance that requires an external electrical power source, the accessory when installed must be electrically grounded in accordance with local codes. In the absence of local codes, the following standards apply:
 - (U.S.A.) ANSI/NFPA No. 70-Latest Edition
 - and
 - (CANADA) CSA C22.1 Canadian Electrical Code
2. Do not cut or remove the grounding prong from the plug.
3. Keep the electrical supply cord and fuel supply hose away from any heated surface.

WARNING

Fuels used in gas or oil-fired appliances, and the products of combustion of such fuels, contain chemicals known to the State of California to cause cancer, birth defects or other reproductive harm.

“This warning is issued pursuant to California Health and Safety Code Sec. 25249.6”

INSTALLATION

1. In Canada, this appliance must be installed in accordance with the local code and the relevant CSA standards:

CSA-B149.1 Natural Gas and Propane installation Code

In the U.S.A., this appliance must be installed in accordance with the local code and the relevant national code.

ANSI Z223.1/NFPA 54 - Latest Edition National Fuel Gas Code and Latest Local Codes where Applicable

2. The appliance must be located away from combustible surfaces by at least 76cm/30" from each side, and 76cm/30" from the rear.



3. Do **not** operate this appliance under any overhead roof construction or foliage.
4. This appliance is for **OUTDOOR USE ONLY**, DO NOT operate in garage, shed, balcony or other such enclosed areas.
5. **DO NOT** restrict the flow of air to the appliance.
6. Keep the area surrounding the appliance free of combustible materials, gasoline, and all flammable liquids and vapours.
7. This appliance is not intended to be installed in, or on, recreational vehicles and/or boats.

NATURAL GAS

1. This barbecue is designed for use with natural gas. Do not use with liquid propane (bottled gas). The valves, orifices, and hoses are for natural gas only.
2. Do not use with charcoal.
3. A shut off valve must be used on the gas supply piping system.
4. When the appliance is not in use, turn off the natural gas supply at the shut off valve.
5. The appliance is designed to operate at a regulated pressure of 7 inches water column (W.C.).

STORAGE

1. The gas must be turned off at the natural gas supply when the barbecue is not in use.

2. When the barbecue is stored indoors, the gas supply must be disconnected.

GAS SUPPLY TESTING

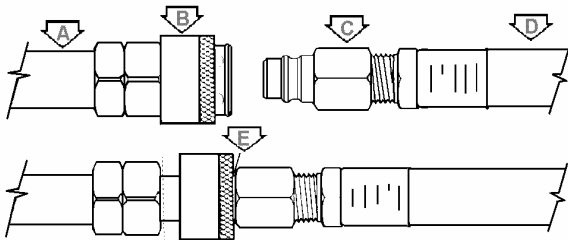
1. The outdoor gas grill and its individual shutoff valve must be disconnected from the gas supply piping system during any pressure testing of that system at test pressures in excess of 1/2 psig (3.5kPa).
2. The outdoor gas grill must be isolated from the gas supply piping system by closing its individual manual shut off valve during any pressure testing of the gas supply piping system at test pressures equal to or less than 1/2 psig (3.5kPa).



- A. GAS SUPPLY PIPING
- B. SHUT OFF VALVE
- C. QUICK DISCONNECT FITTING
- D. EXTENSION HOSE ASSEMBLY

GAS SUPPLY HOSE

1. On models supplied with an extension hose, the hose assembly is specifically designed for your model. No modifications or additions should be attempted. Hose and hose couplings comply with CGA Standard CAN 1.83.
2. On models equipped with the "quick disconnect" coupling, close "shut off valve" before disconnecting coupling.
3. "Quick disconnect" coupling must be kept clean and free of dirt and debris.
4. Protect the hose from dripping grease and do not allow the hose to touch any hot surface, including the base casting of the barbecue.
5. Inspect the hose at least once per year. If the hose is cracked, cut, abraded or damaged, the appliance must not be used.
6. For replacement of hose assembly, contact your dealer or approved service centre.

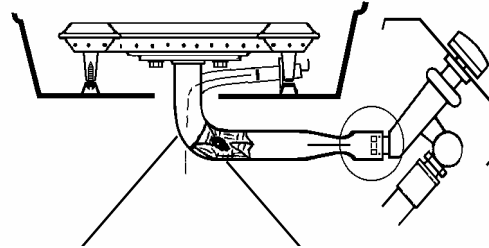


- A. GAS SUPPLY PIPING
- B. QUICK DISCONNECT COUPLING
- C. ADAPTER FITTING
- D. EXTENSION HOSE ASSEMBLY
- E. LEAK TEST HERE

VENTURI TUBES

- **KEEP VENTURI TUBES CLEAN.**
- **Blockages caused by spiders insects and nests can cause a flashback fire.**

Although the barbecue might still light, the backed up gas might also ignite and cause a fire around the venturi tubes at the control panel or side burner.



VENTURI TUBE SPIDER WEB

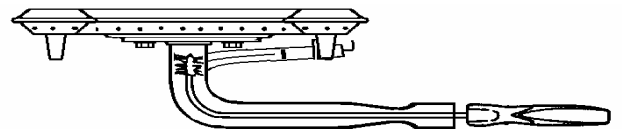
- **If a flashback fire occurs, turn off gas at the source immediately**

Inspect and clean the venturi tubes (main burner, side burner, rear burner) if any of the following symptoms occur:

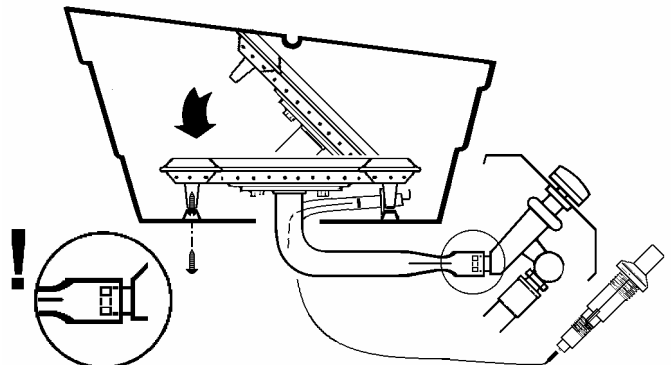
1. You smell gas.
2. Your barbecue does not reach temperature.
3. Your barbecue heats unevenly.
4. The burners make popping noises.

Inspecting & Cleaning Venturi Tubes

1. Turn off gas at the source. i.e. the gas cylinder or supply line for natural gas.
2. When barbecue is cool, remove burner fasteners from bottom, lift the burner from the barbecue housing.
3. Clean the venturi tubes with a pipe cleaner or venturi cleaning tool (Accessory #18270).



4. Lower the burner into position in the barbecue housing, making sure that the venturi tubes are correctly aligned and fitted on the orifices.



5. Secure burner with burner fasteners.

LEAK TESTING

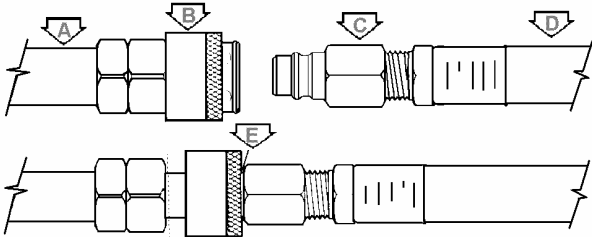
All factory-made connections have been thoroughly tested for gas leaks. However, shipping and handling may have loosened a gas fitting.

AS A SAFETY PRECAUTION:

- **TEST ALL FITTINGS FOR LEAKS BEFORE USING YOUR GAS BARBECUE.**
- **TEST FOR LEAKS EVERY TIME YOU DISCONNECT AND RECONNECT A GAS FITTING, AT LEAST ONCE PER YEAR OR AFTER ANY PERIOD OF NON USE.**
- **DO NOT SMOKE!**
- **NEVER TEST FOR LEAKS WITH A LIGHTED MATCH OR OPEN FLAME.**
- **TEST FOR LEAKS OUTDOORS.**

TO TEST FOR LEAKS:

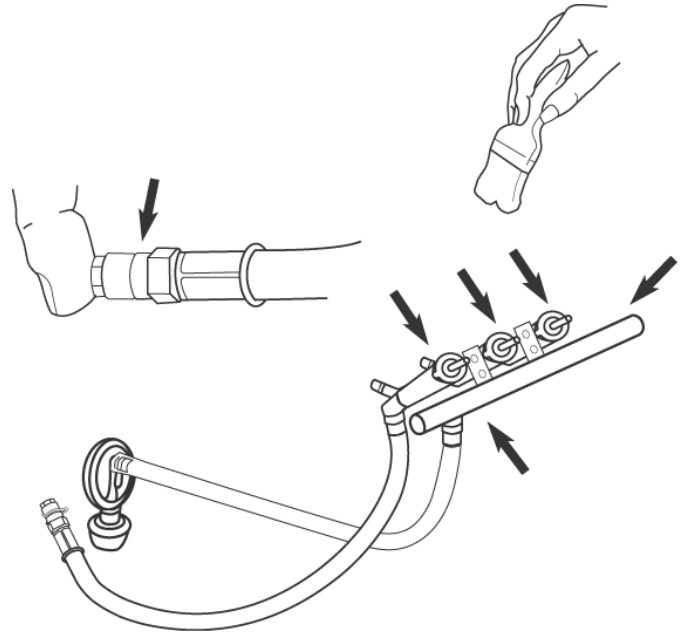
- A. GAS SUPPLY PIPING
- B. QUICK DISCONNECT COUPLING
- C. ADAPTER FITTING
- D. EXTENSION HOSE ASSEMBLY
- E. LEAK TEST HERE



1. Check that appliance is turned **off** at the controls for each burner. Extinguish any open flame or cigarettes in the area.
2. Prepare a soap solution of one part water, one part liquid detergent.
3. Open gas shut off valve.
4. Brush the soap solution on each connection.

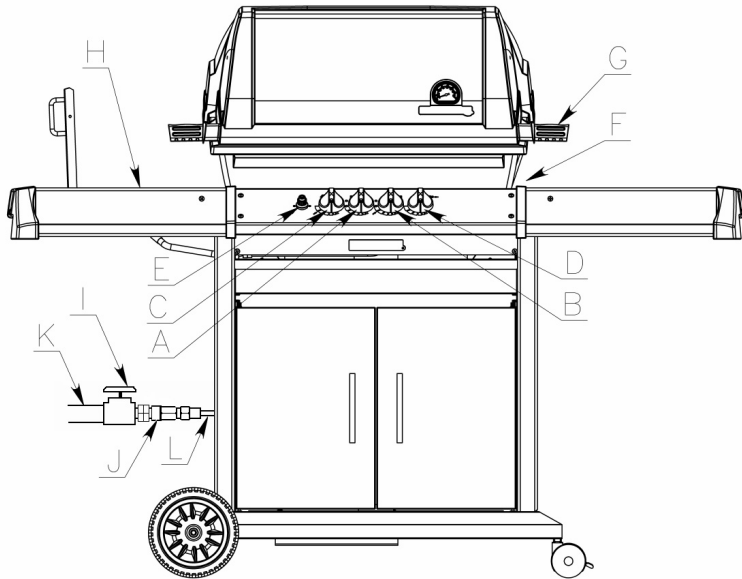
If your barbecue is equipped with a side burner or rear burner:

- a. Place finger tip over the opening in the orifice at the end of hose.
- b. Turn "**SIDE**"/"**REAR**" control to "**HIGH**".
- c. Brush soap solution on each connection between orifice and control valve.
- d. Turn "**SIDE**"/"**REAR**" control to "**OFF**".



5. A leak is identified by a flow of bubbles from the area of the leak.
6. Any leak detected must be sealed before the appliance can be used.
7. If the leak cannot be sealed, shut off the gas supply and contact the dealer or the gas company for assistance. **DO NOT** attempt to operate the appliance.

LIGHTING



- | | |
|-------------------------|------------------------------|
| A. LEFT BURNER CONTROL | G. HANDLE |
| B. RIGHT BURNER CONTROL | H. SIDE BURNER |
| C. SIDE BURNER CONTROL | I. SHUT OFF VALVE |
| D. REAR BURNER CONTROL | J. QUICK DISCONNECT COUPLING |
| E. IGNITOR | K. GAS SUPPLY PIPING |
| F. MANUAL LIGHTING HOLE | L. GAS SUPPLY HOSE |

1. The appliance must be assembled as per the assembly instructions.
2. Check that your gas cylinder is full and properly connected to the regulator.
3. Check that there are no gas leaks in the gas supply system. See Leak Testing.
4. Check that the venturi tubes are properly located over the gas valve orifices.
5. Check that both Main Burner and Side Burner ignition wires are connected.
6. Read carefully all instructions contained on the information plate attached to the barbecue.
7. **WARNING: Open lid before lighting.**
8. Set control knobs to "OFF" and turn on the gas supply.

9a. For Main Burner:

Push and turn either main burner control knob to "HIGH".

Push or rotate the ignitor knob 3 or 4 times or match light.

Burner should ignite within 5 seconds.

(Ignition may perform better with right control knob or both control knobs set at medium.)

Note: To light burner with a match follow steps 1 thru 8 above.

Insert lighted match through lighting hole located at the bottom right of the grill housing.

Push and turn right main burner control knob to "HIGH". Burner should ignite within 5 seconds.

After the right burner is lit, push and turn left main burner control knob to "HIGH". Left burner will ignite automatically.

9b. For Side Burner:

Push and turn side burner control knob to "HIGH."

Push or rotate the ignitor knob 3 or 4 times.

Burner should ignite within 5 seconds.

Note: To light burner with a match follow steps 1 thru 8 above.

Apply lighted match to burner ports.

Push in the control side burner knob and turn to "HIGH".

Burner should ignite within 5 seconds.

9c. For Rear Burner Rotisserie:

Warning - Do not operate the main burner simultaneously with the rear burner as this may result in a grease fire and/or damage to the barbecue.

Caution: Rear burner must be in place before operating the control knob.

REMOVE THE WARMING RACK.

Follow steps 1 thru 8.

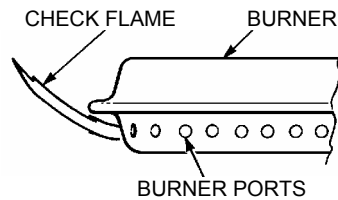
Place lighted match near rear burner ports.

Push and turn rear burner control knob to "HIGH".

Burner should ignite within 5 seconds.

It is important to have lighted match near burner ports BEFORE turning the control knob.

10. Caution - Check your barbecue after lighting.



All the ports on the burner should show a 2.5cm flame on "HIGH" setting.

If any of the following symptoms occur there is probably a blockage in the venturi tubes. Shut off gas at once and clean the venturi tubes. See "Venturi Tubes".

1. You smell gas.
2. If a flashback fire occurs.
3. Your barbecue heats unevenly.
4. The burners make popping noises.

IF BURNER DOES NOT IGNITE:

1. Push and turn control knob to "OFF". Wait 5 minutes, then try again with right control knob or both control knobs set at medium.
2. If any burner will not light, consult "Trouble Shooting Guide". If problem cannot be resolved, do not attempt to operate the appliance; contact your dealer or approved service centre.

SHUT DOWN

1. Turn off supply valve.
2. Turn control knobs to "OFF".

OPERATION

Burn-off. Before cooking on your gas barbecue for the first time, burn off the barbecue to rid it of any odours or foreign matter as follows:

Remove cooking grids and warming rack and wash in mild soap and water. Ignite the burner. Close the lid and operate the barbecue for **20 minutes** with the control knobs set at "**MEDIUM/HIGH**". Turn the gas off at the source. Turn the control knobs to "Off". Let the appliance cool down, replace the grids. You are now ready to use the appliance.

Preheating. When grilling, preheat the barbecue on Medium/High with the lid closed for ten minutes. Reduce heat as appropriate for what you are grilling. Scrub grids with a wire grill brush and brush or spray the grids with vegetable or olive oil to prevent food from sticking.

Lid Position. The position of the lid during cooking is a matter of personal preference, but the barbecue cooks faster, uses less gas, and controls the temperature best with the lid closed. A closed lid also imparts a smokier flavor to meat cooked directly on the grid, and is essential for smoke and convection cooking.

Vapourization Systems. Your gas grill is designed for use with the Flav-R-Wave™ vapourization system (included). Do not use lava rock, ceramic briquets or any other vapourization system other than the one that came with the barbecue.

COOKING TEMPERATURES

High Setting will produce temperatures at the cooking grid of approximately 600 - 650°F (320 - 340° C). Use this setting only for fast warm-up and for burning food residue from the cooking grids after the cookout is over. This setting is also ideal for quickly searing steaks before reducing temperature. Rarely, if ever, do you use the HIGH setting for extended cooking.

Medium/High Setting will produce temperatures at the cooking grid of approximately 550°F (290 ° C). Use this setting for warm-up and for grilling steaks and chops,

Medium Setting will produce temperatures inside the barbecue of approximately 450° F (230°C) with the lid down. Use this setting for most grilling of chicken, burgers, vegetables and for roasting, and baking.

Low Setting will produce temperatures inside the barbecue of approximately 310- 350° F (155-175° C). Use this setting for all smoke cooking, large cuts of meat, delicate fish, and for dough and pastry such as pizza and quesadillas.

These temperatures are approximate only and vary with the outside temperature and the amount of wind present.

COOKING TECHNIQUES

DIRECT GRILLING

The direct grilling method involves cooking the food on grids directly over the flame. Direct grilling is the most popular method for most single serving items such as steaks, chops, fish, burgers, kebabs and vegetables.

1. Prepare food in advance to avoid delay and timing problems. If using marinade or spices, they should be applied before placing meat on the cooking grid. If basting with sauces, they should be applied the last 2-4 minutes of grilling to avoid burning.
2. Organize the area around the barbecue to include forks, tongs, oven mitts, sauces and seasonings, to allow you to stay in the vicinity of the barbecue while cooking.
3. Bring meat to room temperature just prior to grilling. Trim excess fat from meat to minimize the "flare-ups" that are caused by dripping grease.
4. Pre-heat the barbecue to the desired temperature with the cover closed.
5. Coat the grids with vegetable or olive oil to prevent food from sticking to the grids.
6. Hold the salt when cooking meats on the barbecue. The meat will stay juicier if the salt is added after cooking.
7. To prevent steaks from "drying out", use tongs rather than a fork and start on "MEDIUM/HIGH" to sear the meat and seal the juices in. Reduce the heat and extend cooking times when grilling thicker cuts of meat.
8. Learn to test when the meat is done by time and feel. The meat firms up as it cooks. When the meat is soft it is rare. When it is firm, it is well done.
9. Follow the perfect steak grilling guide for most meat, fish, poultry and vegetables.

The Perfect Steak Grilling Guide for Steaks and Chops

Place steak on angle on hot grids. Flip the steak as shown below. Turn and flip the steak again. Finally, flip the steak again.

Meat Thickness		Heat Setting	Time Per Side				Total Time
1 1/2"	1"		A	B	C	D	
Rare		High	1 3/4	1 3/4	1 3/4	1 3/4	7 minutes
Rare	Med/Rare	Med/High	2	2	2	2	8 minutes
Med/Rare	Medium	Med/High	2 1/2	2 1/2	2 1/2	2 1/2	10 minutes
Medium	Well	Medium	3	3	3	3	12 minutes
Well		Medium	3 1/2	3 1/2	3 1/2	3 1/2	14 minutes

COOKING TECHNIQUES

DIRECT GRILLING GUIDE

	1" THICKNESS	HEAT SETTING	TIME PER SIDE	TOTAL TIME
CHICKEN	MED / WELL	MEDIUM	3 / 3 / 3 / 3	12 MIN.
CHICKEN WINGS	MED / WELL	MED / LOW	5 / 5 / 5 / 5	20 MIN.
HAMBURGER	MEDIUM	MEDIUM	3 / 3 / 3 / 3	12 MIN.
HAMBURGERS 3/4" FROZEN	MEDIUM	MEDIUM	3 / 3 / 3 / 3	12 MIN.
FISH FILLET	MEDIUM	MEDIUM	2 / 2 / 2 / 2	8 - 10 MIN.
LOBSTER TAILS SPLIT	MEDIUM	MEDIUM	4 / 4 / 4 / 4	16 - 20 MIN.

Use same technique as the perfect steak grilling guide

INDIRECT CONVECTION COOKING

This method is ideal for cooking large cuts of meat such as roasts or poultry with or without a rotisserie. The food is cooked by hot air circulating around it.

- For most applications of convection cooking with and without a rotisserie, a drip pan is recommended to catch the drippings. Place drip pan on top of the Flav-R-Wave™, beneath centre of food. Put half to one inch of water in the drip pan. Fruit juice, wine or a marinade may also be added to enhance the flavour. Do not let the drip pan run dry.
- In most cases convection cooking with and without a rotisserie is best with the cover closed and the heat reduced. All burners can be set to low or the outside burners can be set to medium and the middle burner(s) can be turned off. Turning the center burner off will prevent juices in the drip pan from burning.
- Prior to placing the meat on the barbecue, baste the meat with vegetable oil. This will enhance the browning on the outside of the meat.
- When cooking without a drip pan, close attention must be paid to avoid the risk of grease fire and is not recommended.
- Use oven mitts when working around the barbecue to avoid injury.
- Turn barbecue off and allow it to cool before removing drip pan. The fat drippings are highly flammable and must be handled carefully to avoid injury.
- For convection cooking roasts and poultry without a rotisserie, place meat in a roasting rack directly on the grids.

INDIRECT CONVECTION AND ROTISSERIE COOKING GUIDE

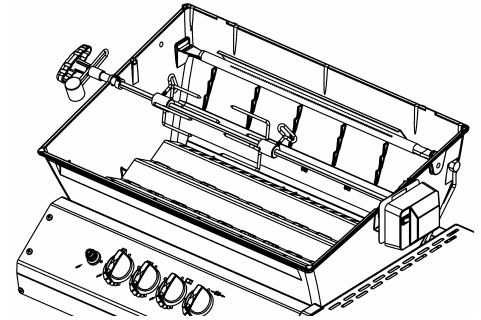
BEEF ROAST	3-6 LB	MED/LOW	2 - 4 HRS
BEEF ROAST	6-10 LB	MED/LOW	3 - 5 HRS
PORK ROAST	2-5 LB	MED/LOW	2 - 4 HRS
PORK ROAST	6-10 LB	MED/LOW	3 - 5 HRS
TURKEY OR CHICKEN	2-5 LB	MED/LOW	2 - 4 HRS
TURKEY OR CHICKEN	5-10 LB	MED/LOW	3 - 5 HRS

When using rotisserie burner, set heat at Med. / High.

ROTISSERIE COOKING

Follow the steps for Indirect Convection Cooking above.

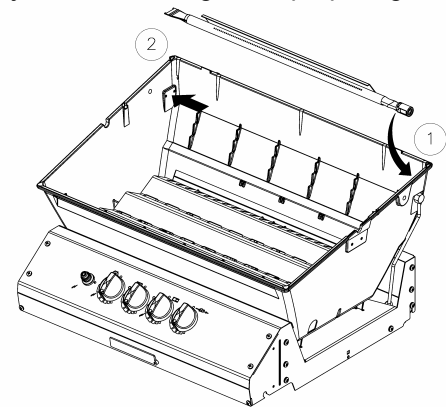
- The rotisserie can accommodate up to 7 kg (15lb) of meat with the limiting factor of rotating clearance. For best results the meat should be centered on the center line of spit to eliminate an out-of-balance condition.



- The rotisserie can be used with the cooking grids in place if space allows.
- Fasten the meat securely on the spit prior to placing it on the barbecue. For poultry, tie the wings and legs in tightly to avoid contact with drip pan.

REAR BURNER ROTISSERIE

Certain models feature a rear burner for rotisserie cooking. The rear burner rotisserie method is the ultimate for cooking roasts and poultry. With the heat source located behind the food, there is no chance of a flare up caused by fat drippings. Cook with confidence knowing you will get perfect results every time. A dish or drip pan placed below the spit will collect the juices for basting or for preparing a sauce.



The spring loaded rear burner may be easily removed when not in use.

To operate your rear burner, follow the lighting directions on page 6.

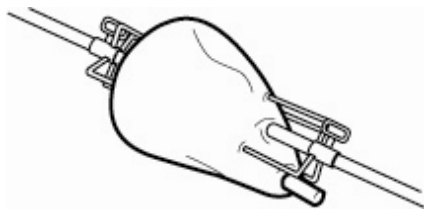
MEAT TEMPERATURE GUIDE

	RARE	MED.	WELL
BEEF / LAMB / VEAL	130°F / 55°C	145°F / 63°C	160°F / 70°C
PORK		150°F / 65°C	170°F / 77°C
POULTRY			170°F / 77°C

For best results use a meat thermometer.

COOKING TECHNIQUES

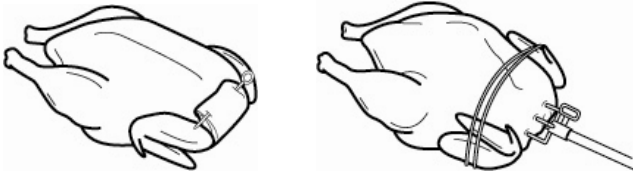
HOW TO USE A SPIT LEG OF LAMB



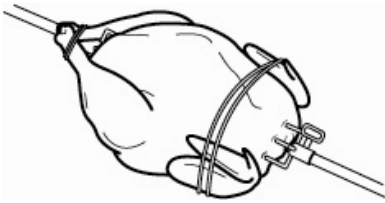
1. Have 3" of bone sawed from small end of leg. Leave meat around bone intact to form a flap. Put a spit fork on rod. Fold flap up and run rod through flap and leg. Put second fork on rod and insert forks in each end of leg. Test for balance. Tighten screws.

POULTRY

1. With breast down; bring neck skin up over cavity. Turn under edges of skin; skewer to back skin. Loop twine around skewer and tie. Turn breast side up; tie or skewer wings to body.



2. Put a spit fork on rod. Insert rod in neck skin parallel to backbone; bring it out just above tail. Put second fork on rod and insert forks in breast and tail. Test for balance. Tighten screws.



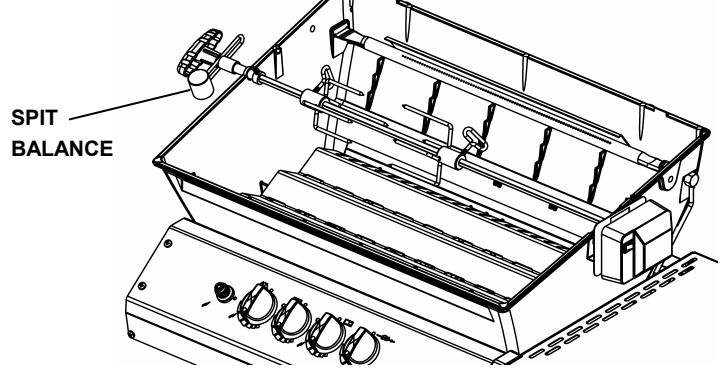
3. Tie tail to rod with twine. Cross legs; tie to tail.

THREE CHICKENS ON A SPIT



1. Tie or skewer wings to body. Put a spit fork on rod. Dovetail chickens on rod. Loop twine around tails and legs; tie to rod. Put second fork on rod and insert forks in chicken. Tighten screws.

SPIT BALANCE



1. Loosen the rod handle to allow the balance to turn freely. Set the rotisserie rod in the slots of the barbecue casting. Let the heaviest side of the meat rotate to the bottom.
2. Adjust the balance to the top of the rod, opposite the heaviest side of the meat. Tighten the rod handle. Periodically, check to see if the meat turns smoothly while cooking. Adjust the balancer as necessary. Caution: Use oven mitt when adjusting balancer.

HOW TO USE A BARBECUE THERMOMETER

1. The accurate way to determine when a large piece of meat is done is to use a barbecue thermometer. Insert the thermometer at an angle so the sturdy pointed metal tip rests in the center of the thickest part of the meat. **Be careful that it doesn't touch the spit or the bone, and that the point is not resting in fat.**
2. Leave the thermometer in place while the meat revolves. When the thermometer reaches the desired temperature the meat is done. Add your sauces during the last few minutes of cooking time, then take the meat off spit and let the meat stand about 15 minutes to firm up. Carve and serve.

For poultry: insert the tip of the thermometer in the thickest part of the thigh close to the body.



For ham or roasts: insert the tip of the thermometer in the center of the heaviest section of the meat.



MAINTENANCE

PERIODIC MAINTENANCE

After you have finished, prepare for the next cookout by burning off any residue of food from the grid and briquettes or Flav-R-Wave™ or Flav-R-Cast™ in the following manner:

Cooking Grids

Remove all food from the grids, turn the control knobs to "HIGH", and operate the barbecue with the lid closed for 5 to 10 minutes or until smoking stops. Turn the gas cylinder valve to OFF, then the control knobs to OFF.

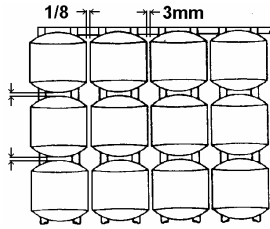
Use a long-handled **brass** wire brush to clean the grids. Remember that the barbecue is hot, so wear kitchen mitts or use a pot-holder to handle the brush.

You do not have to wash the grids and upper cooking rack after each cookout, but if you wish to do so, use a mild soap and water solution, then rinse them thoroughly. Never use a commercial oven cleaner.

Porcelain Coating - Most OMC cooking grids are coated with a durable porcelain enamel to assist in cleaning and reduce the tendency of food sticking to the grid. Some chipping may occur if mishandled. This will not affect the use or performance of the grids. If some rust appears, remove the rust with a scrub pad and coat the grid with cooking oil.

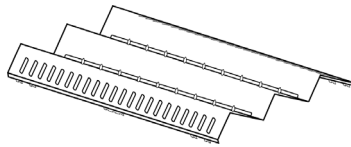
Ceramic Briquets

If any residue begins to accumulate on the briquets, remove the cooking grids and turn the briquets over prior to lighting the barbecue. Be sure to place briquets evenly in one layer. The underside of the briquets will self clean while preheating the barbecue.



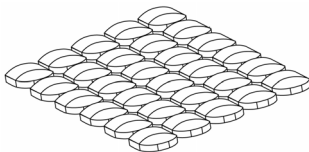
Flav-R-Wave™

If any residue begins to accumulate on the Flav-R-Wave™, remove cooking grids and scrape excess residue with back of barbecue brush.



Flav-R-Cast™

Excess food residue may be removed using a scrub pad or brass grill brush. Coat the Flav-R-Cast™ with cooking oil when not using the barbecue for an extended period. The Flav-R-Cast™ is coated with a matte porcelain finish to assist in cleaning and help prevent rust. Some chipping may occur if mishandled. This will not affect the use or performance of the Flav-R-Cast™. If rust appears, remove the rust with a scrub pad and coat with cooking oil.



Grease Cup Holder



The grease cup holder is located on the bottom of the cooking oven immediately below the hole through which grease will drain. The grease cup is not provided. The clip, however, has been designed to hold a standard soup can or jar. Simply snap the can or jar into place. The grease cup should be checked and replaced regularly to prevent grease from overflowing onto your patio.

General Cleaning

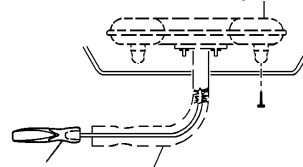
When the barbecue is cold, remove the grids. If equipped with briquets, turn over. Cover three quarters of the briquettes or Flav-R-Wave™ or Flav-R-Cast™ with aluminum foil, shiny side down. Ignite the burners; operate the barbecue on HIGH with the lid closed for 10 minutes or until smoking stops. Turn the gas cylinder valve to OFF, turn the control knobs to OFF. When the barbecue is cool, remove the foil, and residue from briquettes or Flav-R-Wave™ or Flav-R-Cast™ with a vacuum. Remove briquets and grate or Flav-R-Wave™ or Flav-R-Cast™, then clean the interior of the bottom oven by scrapping the sides and vacuuming.

ANNUAL MAINTENANCE

To ensure safe and efficient performance, the following components should be inspected and cleaned at least once per year or after any period of storage exceeding one month.

Burner

Remove burner and inspect for cracks and deterioration.



Clean venturi tubes using a pipe cleaner or venturi brush to eliminate any blockages caused by spiders or insects. See "Venturi Tubes".

While burner is removed, clean interior of bottom oven by scrapping the sides and vacuuming.

Hose

Inspect and replace if necessary. See "Hose and Regulator".

Perma-Mold Shelves

Wash with soap and water. To enhance luster, coat lightly with cooking oil.

Exterior Finish

If white oxidation spots appear, wash the outside of the housing with a mild soap and water solution. Rinse the surfaces thoroughly, then wipe them with a cloth dipped in cooking oil to restore the luster.

For repair of paint scratches and scuffs, use a good quality HIGH temperature (600°F) spray paint for touch-up.

Replacement Parts

If a problem is found with the regulator, hose, burner, or control valves, **do not** attempt repair. See your dealer, approved service centre, or contact the factory for repairs or replacement parts. To ensure optimum performance, use only original OMC replacement parts.

Leak Test

After reconnecting gas cylinder, be sure to check for leaks. See "Leak Testing"

TROUBLE SHOOTING

PROBLEM	POSSIBLE CAUSE	CORRECTIVE ACTION
SMELL OF GAS	SHUT OFF GAS SUPPLY VALVE AT ONCE. DO NOT USE THE APPLIANCE UNTIL LEAK IS SEALED.	
Leak detected at any connection.	<ol style="list-style-type: none"> 1. Quick disconnect coupling not seated fully. 2. Gas leak in connection. 3. Gas leak in hose or control valves. 	<ol style="list-style-type: none"> 1. Remove and reconnect coupling. 2. Tighten connection and "Leak Test". 3. See authorized service centre.
Flame flashback beneath control panel.	<ol style="list-style-type: none"> 1. Venturi blocked. 	<ol style="list-style-type: none"> 1. Remove burner, clean venturi. See "Venturi Tubes".
Burner will not light.	<ol style="list-style-type: none"> 1. Gas shut off valve closed. 2. Ignitor wire(s) not connected. 3. Ignitor electrode misaligned on burner. 4. Ignitor malfunction. 5. Venturi blocked. 6. Venturi not aligned with valve orifice. 7. Orifice blocked. 	<ol style="list-style-type: none"> 1. Open gas shut off valve. 2. Connect both main burner and side burner electrode wires. 3. Realign electrode. 4. Use "Manual Lighting" Procedure. 5. Remove burner, clean venturi. See "Venturi Tubes". 6. Realign venturi to orifice. See "Venturi Tubes". 7. Remove burner, clean orifice with a pin or fine wire. Do not attempt to drill orifice.
Hot spots on cooking surface.	<ol style="list-style-type: none"> 1. Briquets not evenly distributed. 2. Venturi blocked. 	<ol style="list-style-type: none"> 1. Spread briquets evenly on briquet grate - one layer only. 2. Remove burner, clean venturi. See "Venturi Tubes".
"Flare-ups" or grease fires.	<ol style="list-style-type: none"> 1. Excessive grease buildup on briquets. 2. Excessive heat. 	<ol style="list-style-type: none"> 1. Clean briquets. See "Maintenance". 2. Turn burner controls to a lower setting or raise cooking grid to upper position (2-position grids only).
Yellow Flame.	<ol style="list-style-type: none"> 1. Some yellow flame is normal. If it becomes excessive the venturi may be blocked. 2. Burner ports blocked. 	<ol style="list-style-type: none"> 1. Remove burner, clean venturi. See "Venturi Tubes". 2. Remove burner and clean with soft bristle brush or scraper.
Inside of lid appears to be peeling.	<ol style="list-style-type: none"> 1. This is a build up of grease not faulty paint. 	<ol style="list-style-type: none"> 1. Clean with stiff bristle brush or scraper.

WARRANTY

The OMC Warranty is effective from date of purchase and is limited to the repair or replacement of parts at no charge which prove to be defective under normal domestic use.

In Canada replacement is FOB Factory.

In all other countries replacement is FOB OMC Distributor. (consult your Dealer for name of OMC Distributor).

All other costs are the responsibility of the owner.

This warranty is extended only to the original purchaser as indicated on the warranty registration and applies only to products sold at retail and only when used in country where purchased. (Different types of gas used in different countries require appropriate valves, orifices and regulators.)

WHAT IS COVERED

Oven castings	Excluding Paint	Lifetime
Burners	Super 8 Burners	5 years
	Dual H Burners	5 years
	Oval & Tube Type	3 years
All Remaining Parts	Excluding Tank	2 years

WHAT IS NOT COVERED

Any failures or operating difficulties due to accident, abuse, misuse, alteration, misapplication, vandalism, improper installation or improper maintenance or service, or failure to perform normal and routine maintenance, including but not limited to damage caused by insects within the burner tubes, as set out in the owner's manual.

Deterioration or damage due to severe weather conditions such as hail, hurricanes, earthquakes or tornadoes, discoloration due to exposure to chemicals either directly or in the atmosphere.

Shipping or transportation costs.

Removal or re-installation costs.

Labor costs for installation and repair.

Cost of service calls.

Liability for indirect, or consequential damages.

REPLACEMENT PARTS

"Genuine OMC Gas Barbecue Parts" must always be used for replacement. Use of any other parts will automatically nullify the above warranty.

WARRANTY CLAIMS

All warranty is handled directly by OMC. Parts must be returned to OMC Warranty Department, shipping charges prepaid, accompanied by Model #, Serial #, and if your grill is not registered, proof of purchase (copy of sales slip or invoice). If inspection confirms the defect, OMC will repair or replace such part in accordance with the terms of the warranty.

On receipt of letter or fax (not by phone) OMC may at its option not require part or parts to be returned.

Name		Model #	
Address		Serial #	
City, State/Province		Date of purchase	
Postal/Zip Code		Name of dealer	
Phone #		Part # (see assembly manual)	
Fax #			
Problem			

NON CANADIAN RESIDENTS

The above warranty is administered by the OMC distributor in your country. Contact your dealer for the name of your OMC distributor.

BURNERS

The life of OMC burners (made of stainless steel) depends almost entirely on proper use, cleaning and maintenance. This warranty does not cover failure due to improper use and maintenance. In this event the warranty grants the owner the option of buying a new burner at the following discounts from current price. During 3rd year - 50%, 4th year - 40%, 5th year - 25%. Shipping and handling charges are the responsibility of the owner.

PORCELAIN COOKING GRIDS

Most OMC cooking grids are coated with a durable porcelain enamel to assist in cleaning and reduce the tendency of food from sticking to the grid. Porcelain is essentially a glass coating. Some chipping may occur if mishandled. This will not affect the use or performance of the grids. The grids are not warranted against chipping or rusting due to mishandling. If some rust appears, remove the rust with a scrub pad and coat the grid with cooking oil.

VAPORIZATION SYSTEMS

OMC Gas Grills are designed for use with either Ceramic Briquettes or Flav-R-Wave™ or Flav-R-Cast™ vaporization systems. Use of any other product will nullify the warranty.

BRIQUETS

Ceramic Briquettes are only to be used with the Briquette Grate supplied or specified. They are not to be used with Flav-R-Wave™ or Flav-R-Cast™. Only one layer is to be used. Place evenly.

FLAV-R-WAVE™ / FLAV-R-CAST™

The Flav-R-Wave™ or Flav-R-Cast™ is warranted against defects in materials or rust through for a period of 2 years from date of purchase. Surface rust will not affect the performance of the Flav-R-Wave™ or Flav-R-Cast™ and is not covered by the warranty. If rust appears, remove the rust with a scrub pad and coat with cooking oil.

Votre garantie OMC entre en vigueur à la date d'achat et se limite aux réparations et remplacements de pièces défectueuses, s'il est assemblé et utilisé selon les instructions qui l'accompagnent, sous utilisation domestique seulement.

Au Canada le remplacement sera fait FAB Kit'chener.

Dans tout autre pays, le remplacement sera fait FAB du distributeur OMC de votre région. (communiquer avec votre détaillant pour le nom de votre distributeur OMC).

Tout autre coût sera la responsabilité du propriétaire.

Cette garantie s'applique seulement à l'acheteur initial indiqué sur l'enregistrement de la garantie. Cette garantie ne s'applique qu'aux produits vendus au détail, dans le pays où il a été acheté (En vertu des différences de gaz d'un pays à l'autre, les soupapes, les orifices et le régulateur peuvent varier).

LA GARANTIE INCLUS

Boîtier	A l'exception de la peinture	Garanti à vie
Brlleurs	Brlleur Dual- H et Brlleurs ovale et tube	5 ans 5 ans 3 ans
Toutes les autres pièces	A l'exception de la bonbonne de propane	2 ans

EXCLUSION DES LA COUVERTURE DE LA GARANTIE:

Cette garantie ne couvre pas les défaillances ou les difficultés de fonctionnement causées par les situations suivantes : un accident, abus, mauvais usage, modifications, vandalisme, installation incorrecte, entretien et service incorrects, ou manquements au niveau de l'entretien normal et habituel, y compris mais non-limité aux dommages causés par les insectes dans les tubes venturis, tel qu'indiqué dans le manuel de l'utilisateur.

La détérioration ou les dommages causés par les tempêtes, y compris la grêle, les ouragans, les tremblements de terre ou les tornades, et la décoloration causée par l'exposition directe aux produits chimiques (ou à ceux de l'air environnant), ne sont pas couverts sous cette garantie.

Les frais de transport.

Les coûts de déménagement ou de réinstallation.

Le coût de main d'œuvre pour installation ou réparations.

Les frais de service liés à la réparation à domicile. Responsabilité pour les dommages indirects.

PIÈCES DE REMPLACEMENT

Toujours utiliser "les pièces de gris à gaz authentiques OMC" pour remplacement. Cette garantie sera annulée si d'autres pièces sont utilisées.

RÉCLAMATION DE GARANTIE

Toutes les garanties sont gérées directement par OMC. Les pièces doivent être retournées, port-payé et accompagnées de la preuve d'achat (si votre barbecue n'est pas déjà enregistré), du numéro de modèle et de série, au service de garantie décrits ci-dessus. Si, après inspection, la pièce est jugée défectueuse, OMC la remplacera en accord avec les termes de garantie décrits ci-dessus. Dans le cas d'une lettre ou d'un fax (non pas par téléphone), OMC décidera si la ou les pièces doivent leur être retournées.

Nom	N° de modèle	
Adresse	N° de série	
Ville, État/Province	Date d'achat	
Code postal	Nom du détaillant	
N° téléphone	N° pièce (voir manuel d'assemblage)	
N° télécopieur		
Problème		

RÉSIDENTS NON CANADIENS La garantie ci-dessus est administrée par le distributeur OMC de votre pays. Communiquer avec votre détaillant pour le nom de votre distributeur OMC.

BRÛLEUR

L a durée de vie des brûleurs OMC (en acier inoxydable) dépend essentiellement de leur bon usage, entretien et nettoyage. Cette garantie ne couvre aucune panne ou difficulté de fonctionnement due à un mauvais usage ou entretien. Dans ce cas, cette garantie accorde un rabais au propriétaire pour l'achat d'un nouveau brûleur.

(50% la 1^{ère} à la 3^{ème} année, 40% la 4^{ème} année et 25% la 5^{ème} année, selon le prix courant de remplacement de la pièce).

GRILLES DE CUISSON DE PORCELAINE

La plupart des grilles de cuisson OMC sont recouvertes d'un solide émail de porcelaine pour faciliter le nettoyage et réduire les chances que la nourriture ne colle à la grille. La porcelaine est essentiellement une couche de vitre. On risque d'écailler la couche si elle n'est pas manipulée avec soin. Toutefois, ceci n'aura pas d'effet sur l'emploi ou le fonctionnement des grilles. Si vous apercevez de la rouille, enlevez-la avec un tampon à récurer et enduisez la grille d'huile de cuisson.

SYSTÈMES DE VAPORISATION

Les barbecues au gaz d'OMC sont conçus pour être utilisés avec des briquettes en céramique ou les systèmes de vaporisation Flav-R-Wave™ ou Flav-R-Cast™. Cette garantie sera nulle si un autre produit était utilisé.

BRIQUETTES

Les briquettes en céramique OMC ne doivent être utilisées qu'avec la plaque à briquette fournie. N'utilisez jamais de briquettes avec le Flav-R-Wave™ ou Flav-R-Cast™. Espacez également les briquettes en une couche sur la plaque.

FLAV-R-WAVE™ ET FLAV-R-CAST™

Le Flav-R-Wave™ ou Flav-R-Cast™ est garanti contre les défauts de matériaux ou la rouille pour deux ans à compter de la date d'achat. La rouille de surface n'affectera pas la performance et n'est pas couverte par la garantie. Si vous apercevez de la rouille, enlevez-la avec un tampon à récurer et enduisez le Flav-R-Wave™ ou Flav-R-Cast™ d'huile de cuisson.

LOCALISATION DE PANNES

PROBLÈME	CAUSE POSSIBLE	ACTION CORRECTIVE
ODEUR DE GAZ	FERMER IMMÉDIATEMENT LE GAZ À LA SOURCE NE PAS UTILISER L'APPAREIL JUSQU'À CE QUE LA FUITE SOIT SCÉLÉE	
Fuite détectée dans une connexion.	1. Accouplement de débranchement rapide pas scellé complètement. 2. Fuite de gaz dans une connexion. 3. Fuite de gaz dans une soupape de tuyau ou contrôle.	1. Retirer et rattacher l'accouplement. 2. Serrer la connexion et contrôler les fuites. 3. Voir Centre de service autorisé.
Il y a un retour de flammes sous le panneau de contrôle.	1. Venturi bloqué.	1. Enlever le brûleur, nettoyer les tubes venturi, voir « nettoyage & entretien ».
Les brûleurs ne s'allument pas.	1. Soupape de gaz fermée. 2. Fils de l'allumeur non connectés. 3. L'électrode de l'allumeur est désaligné du brûleur. 4. Fonctionnement défectueux de l'allumeur. 5. Venturi bloqué. 9. Venturi non aligné avec l'orifice de la soupape. 10. Orifice bloqué.	1. Ouvrir soupape de gaz. 2. Connecter les électrodes du brûleur principal et latéral. 3. Aligner de nouveau l'électrode. 4. Suivre la procédure pour « l'allumage manuel ». 5. Enlever le brûleur, nettoyer le tube venturi. Voir « nettoyage et entretien ». 9. Aligner de nouveau le venturi à l'orifice. Voir « Tubes Venturi ». 10. Enlever le brûleur et nettoyer l'orifice avec une aiguille ou un fil en métal fin. N'utilisez pas une perceuse.
Sections chaudes sur la surface de cuisson.	1. Les briquettes ne sont pas distribuées uniformément. 2. Venturi bloqué.	1. Étendre les briquettes afin d'éliminer les « trous » et les « vides » sur la grille des briquettes, en une seule couche. 2. Enlever le brûleur, nettoyer le tube venturi, voir « Tubes Venturi ».
Flammées ou feu de graisse.	1. Accumulation excessive de graisse sur les briquettes. 2. Chaleur excessive.	1. Nettoyer les briquettes. Voir « Entretien ». 2. Tourner le contrôle du brûleur à un réglage plus bas ou lever la grille de cuisson à la position supérieure (grilles à deux positions seulement).
Flamme jaune.	1. Un peu de flamme jaune est normal. Si c'est en quantité excessive, il est possible que le venturi soit bloqué. 2. Orifice du brûleur bloqué.	1. Enlever le brûleur, nettoyer le venturi. Voir « Tubes Venturi ». 2. Enlever le brûleur et nettoyer avec une brosse à poils doux.
L'intérieur du couvercle semble peler	1. C'est une accumulation de graisse, et non pas une détérioration de la peinture.	1. Nettoyer avec une brosse rigide ou un grattoir.

ENTRETIEN PÉRIODIQUE

Après la cuisson, préparez votre prochaine grillade en brûlant les restes de nourriture sur la grille et les briquettes, Flav-R-Wave™ ou Flav-R-Cast™ de la façon suivante :

Grilles pour cuisson
Enlever toute la nourriture des grilles, tourner les boutons de réglage à "Hi" et faire fonctionner le barbecue avec le couvercle fermé de 5 à 10 minutes, ou jusqu'à ce qu'il n'y ait plus de fumée. Tourner le robinet de la bonne de propane à "OFF" et ensuite, les boutons de contrôle à "OFF".

Utiliser une brosse à long manche avec fils en laiton pour nettoyer les grilles. Ne pas oublier que le grill est chaud, alors porter des mitaines à four pour tenir la brosse.

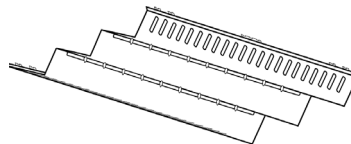
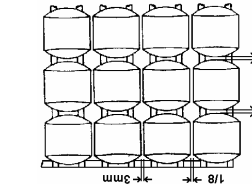
Il n'est pas nécessaire de laver les grilles après chaque grillade, mais si vous le voulez, utiliser une solution d'eau savonneuse douce, puis rincez-les bien. Ne jamais utiliser de nettoyeur commercial pour fours.

Revêtement en porcelaine

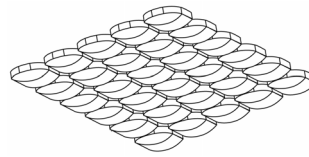
La plupart des grilles pour cuisson OMC sont recouvertes d'un solide émail de porcelaine pour faciliter le nettoyage et réduire les chances que la nourriture ne colle à la grille. On risque d'écailler la couche si elle n'est pas manipulée avec soin. Toutefois, ceci n'aura pas d'effet sur l'emploi ou le fonctionnement des grilles. Si vous apercevez de la rouille, enlevez-la avec un tampon à récurer et enduisez la grille d'huile de cuisson.

Briquettes en céramique

Si les restes commencent à s'accumuler sur les briquettes, enlever les grilles et retourner les briquettes avant d'allumer le grill. Placer les briquettes côte-à-côte, en une seule couche au fond du boîtier. Le dessous des briquettes se nettoiera automatiquement pendant qu'on préchauffe le grill.



Flav-R-Wave™
Si quelques résidus commencent à s'accumuler sur le Flav-R-Wave™, enlever les grilles de cuisson et gratter l'excès avec l'arrière de votre brosse à barbecue.



Flav-R-Cast™
Les résidus peuvent être enlevés au moyen d'un linge à récurer ou d'une brosse avec fils en laiton. Appliquez une couche d'huile végétale si vous n'utiliserez pas le barbecue pendant une longue période. Le Flav-R-Cast™ est enduit de porcelaine pour faciliter le nettoyage et pour préserver la rouille. Il est possible que ce fini s'écaille s'il n'est pas manipulé avec soin. Ceci n'affecte pas sa performance. Si vous apercevez de la rouille, enlevez-la avec un tampon à récurer et enduisez la grille d'huile de cuisson.

Porte-contenant à graisse

Le porte-contenant à graisse est situé sous le boîtier, à l'extérieur de l'orifice où la graisse s'écoule. Le contenant à graisse n'est pas fourni. Cependant le porte-contenant a été conçu pour un bocal standard ou une canette à soupe. Il suffit d'enclencher ce contenant en place. Le contenant à graisse doit être vérifié et remplacé périodiquement pour empêcher la graisse de déborder.



Nettoyage Général

Retirez les grilles lorsque le barbecue est refroidi. S'il est équipé de briquettes, retournez-les. Recouvrez les briquettes, le Flav-R-Wave™ ou le Flav-R-Cast™, au trois quarts avec du papier d'aluminium, côté luisant vers le bas. Allumez les brûleurs et, avec le couvercle fermé, faites fonctionner le barbecue à haute température pour 10 minutes, ou jusqu'à ce qu'il arrête de faire de la fumée. Fermez le robinet de la bonne et ensuite les boutons de contrôle. Lorsque le barbecue est refroidi, enlevez le papier d'aluminium, les briquettes, le Flav-R-Wave™ ou le Flav-R-Cast™, grattez les côtés et passez l'aspirateur dans le fond du boîtier.

ENTRETIEN ANNUEL
Pour assurer une performance efficace et sécuritaire, cet appareil doit être inspecté et nettoyé au moins une fois par année ou après une période d'entreposage de plus d'un mois.

Brûleur
Enlever le brûleur et examiner pour des fissures ou une détérioration.

Nettoyer les tubes venturi à l'aide d'un cure-pipe ou d'une brosse venturi pour éliminer les obstructions causées par les araignées ou insectes. Voir "Tubes Venturi".

Pendant que le brûleur est enlevé, nettoyer le fond du boîtier. Les dépôts durs peuvent être enlevés avec une brosse métallique et les surfaces lavées avec de l'eau savonneuse.

Tuyau
Examiner et remplacer si nécessaire. Voir "Alimentation Du Gaz".

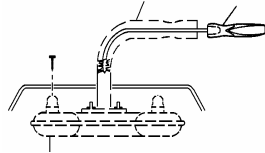
Tablettes modulaire
Laver avec de l'eau savonneuse. Enduisez d'une couche d'huile de cuisson pour rehausser le lustre.

Finis extérieur
En cas d'apparition de taches blanches de calcium, laver l'extérieur du boîtier à l'eau savonneuse douce. Bien rincer les surfaces et essuyer avec un chiffon imbibé d'huile de cuisson pour leur redonner leur lustre.

Les égratignures peuvent être retouchées avec une peinture en aérosol de qualité résistante aux températures élevées (600°F).

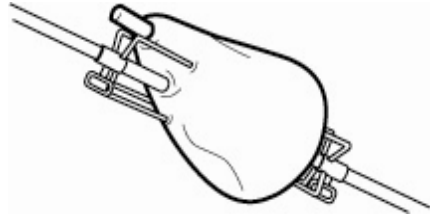
Pièces de rechange
Si un problème se présente avec le régulateur, le tuyau, le brûleur, ou les valves du panneau de contrôle, **n'essayez pas** de les réparer. Pour la réparation ou pour des pièces de rechange consultez votre marchand, un Centre de service autorisé ou contacter l'usine de fabrication. Pour une performance optimale, n'utilisez que des pièces de rechange OMC originales.

Contrôle des fuites
Après avoir branché la bonne, vérifiez qu'il n'y a pas de fuites. Voir "contrôle des fuites".



COMMENT UTILISER UNE BROCHE

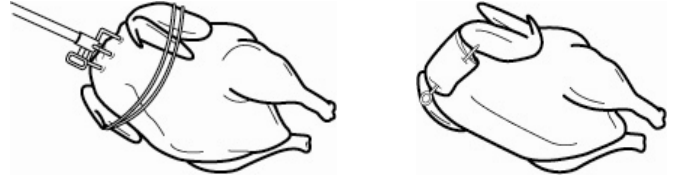
GIGOT D'AGNEAU



1. Faire scier 3 pouces d'os de la petite partie du gigot. Laisser la viande autour de l'os intacte pour former un rabat. Placer une fourchette sur la broche. Replier le rabat et filer la broche à travers le rabat et le gigot. Mettre la deuxième fourchette sur la broche et insérer les dents des deux fourchettes dans chaque bout du gigot. Tester l'équilibre. Serrer les vis.

VOLAILLE

1. Poitrine vers le bas, recouvrir la cavité avec la peau du cou. Replier et fixer la peau et placer les dents de la fourchette dans la chair du dos. Enrouler une ficelle autour de la volaille et attacher. Retourner la volaille afin que la poitrine soit vers le haut et attacher ou embrocher les ailes au corps.



2. Mettre une fourchette sur la broche. Insérer la broche dans la peau du cou, parallèle à la colonne vertébrale; sortez-la juste au-dessus de la queue. Mettre une deuxième fourchette sur la broche et insérer les dents de la fourchette dans la poitrine et la queue. Tester l'équilibre. Serrer les vis.
3. Attacher la queue avec une ficelle. Croiser les pattes et fixer à la queue.

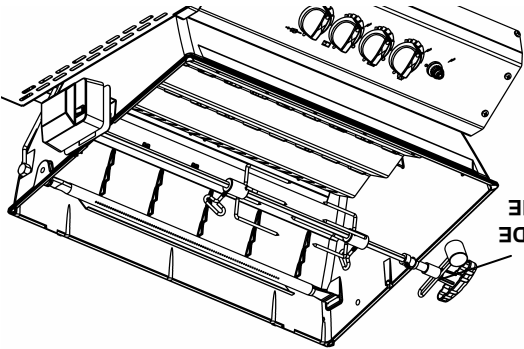
TROIS POULETS SUR UNE BROCHE



1. Attacher ou embrocher les ailes au corps. Mettre une fourchette sur la broche. Raccorder les poulets sur la broche. Enrouler une ficelle autour des queues et des pattes et attacher à la broche. Mettre la deuxième fourchette sur la broche et insérer les dents dans le poulet. Serrer les vis.

CONTREPOIDS DE TOURNBROCHE

CONTREPOIDS DE TOURNBROCHE



1. Déserrer la poignée du tournebroche pour que le contrepooids tourne librement. Placer le tournebroche dans les coches du boîtier.
2. Ajuster le contrepooids sur le côté le moins lourd du tournebroche. Serrer la poignée. Vérifier, périodiquement, que la pièce de viande tourne de manière uniforme. Ajuster le contrepooids si nécessaire.

VIANDE POUR BARBECUE COMMENT UTILISER UN THERMOMÈTRE À

VIANDE POUR BARBECUE

1. La seule façon de vérifier si un gros morceau de viande est cuit est d'utiliser un thermomètre à viande. Insérez le thermomètre à un angle dans la partie la plus épaisse de la viande. Vérifiez que le thermomètre ne touche pas la tige ou un os, et qu'il n'est pas dans la graisse.
2. Laisser le thermomètre en place pendant que la viande tourne. Quand le thermomètre atteint la température désirée, la viande est cuite. Ajouter vos sauces durant les dernières minutes de la cuisson. Enlever la viande du tournebroche et attendez 15 minutes pour que la viande se raffermisse avant de trancher. Trancher et servir.



Pour le poulet: insérer le thermomètre dans la partie la plus épaisse de la cuisse, là où la cuisse rejoint le corps du poulet.



Pour un jambon ou un rôti: insérer le thermomètre dans le centre de la partie la plus pesante de la viande.

CUISSON À CONVECTION (INDIRECTE)

C'est une méthode qui est idéale pour rôtir de gros morceaux de viande ou de volaille avec ou sans tournbroche. La cuisson s'effectue grâce à l'air chaud qui circule autour des aliments.

1. Pour la plupart des cuissons à convection, avec ou sans tournbroche, on recommande l'utilisation d'une lèche-frite. Placez-la sur le Flav-R-Wave™ sous le centre de la nourriture et ajoutez de 1 pouce à 1 1/2 pouce d'eau. Pour plus de saveur, ajoutez du jus de fruit, du vin ou une marinade. Ne laissez pas le liquide s'évaporer entièrement de la lèche-frite.
2. Pour la cuisson à convection, avec ou sans tournbroche, il est préférable de fermer le couvercle et de cuire à basse température. Tous les brûleurs peuvent être réglés à basse température, ou ceux des extrémités à "moyen" et celui/ceux du milieu à "OFF". En mettant le brûleur central à "OFF" on évite que les jus de cuisson de la lèche-frite s'évaporent.
3. Avant de placer la viande sur le barbecue, badigeonnez-la d'huile végétale pour qu'elle devienne plus dorée.
4. Une cuisson indirecte sans lèche-frite n'est pas recommandée. Si vous le faites, portez une attention particulière car les jus de cuisson pourraient causer un feu de graisse.
5. Utiliser des mitaines de four aux alentours du barbecue pour éviter des blessures corporelles.
6. Fermer le barbecue et laisser refroidir avant de retirer la lèche-frite. La graisse est très inflammable et doit être manipulée avec soin pour éviter des blessures graves.
7. Pour la cuisson des rôtis et volailles à convection et sans tournbroche, placez-les dans un support pour rôtis, directement sur les grilles de cuisson.

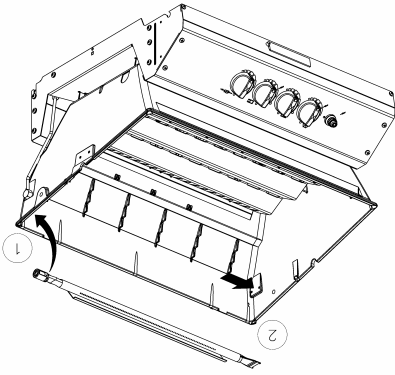
GUIDE POUR LA CUISSON À CONVECTION ET AU TOURNBROCHE

RÔTI DE BOEUF	3-6 LB	MOYEN/BAS	2 - 4 HEURES
RÔTI DE BOEUF	6-10 LB	MOYEN/BAS	3 - 5 HEURES
RÔTI DE PORC	2-5 LB	MOYEN/BAS	2 - 4 HEURES
RÔTI DE PORC	6-10 LB	MOYEN/BAS	3 - 5 HEURES
DINDE OU POULET	2-5 LB	MOYEN/BAS	2 - 4 HEURES
DINDE OU POULET	5-10 LB	MOYEN/BAS	3 - 5 HEURES

Avec un tournbroche, régler la température à moyen/élevé.

CUISSON AVEC BRÛLEUR ARRIÈRE

Certains modèles comportent un brûleur arrière pour la cuisson au tournbroche. C'est la méthode idéale pour cuire des rôtis et des volailles. Avec la source de chaleur située derrière la nourriture, il n'y a aucune chance que le repas brûle ou soit gâché par des flambées de graisse. Cuisinez en toute confiance en sachant que vous aurez toujours des résultats parfaits. Un plat en aluminium ou une lèche-frite, placés sous la broche, permettra de recueillir les jus pour arroser les aliments ou pour préparer une sauce.



Le brûleur arrière est muni d'un ressort et peut être facilement enlevé quand il n'est pas utilisé. Veuillez vous référer à la page 6 pour les instructions d'allumage du brûleur arrière.

GUIDE DE TEMPÉRATURE POUR VIANDES ET VOLAILLES

SAIGNANT	MÉDIUM	BIEN CUIT
Bœuf/Agneau/Eau	130°F / 55°C	145°F / 63°C
Porc	150°F / 65°C	170°F / 77°C
Volaille	170°F / 77°C	170°F / 77°C

Pour de meilleurs résultats utiliser un thermomètre à viande.

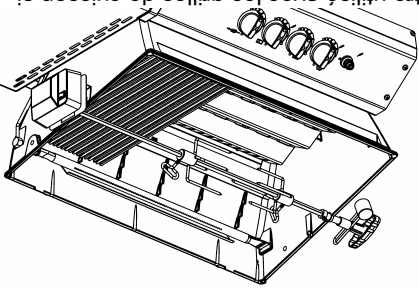
GUIDE DE CUISSON DIRECTE

POULET	MÉDIUM / BIEN CUIT	MOYEN	3 / 3 / 3 / 3	12 MIN.
AILES DE POULET BIEN CUIT	MÉDIUM / BIEN CUIT	MOYEN/BAS	5 / 5 / 5 / 5	20 MIN.
HAMBURGER	MÉDIUM	MOYEN	3 / 3 / 3 / 3	12 MIN.
HAMBURGER S 3/4" GELÉS	MÉDIUM	MOYEN	3 / 3 / 3 / 3	12 MIN.
FILET DE POISSON	MÉDIUM	MOYEN	2 / 2 / 2 / 2	8 - 10 MIN.
QUEUE DE HOMARD	MÉDIUM	MOYEN	4 / 4 / 4 / 4	16 - 20 MIN.

Utilisez la technique de cuisson du steak parfait

CUISSON AU TOURNBROCHE

Suivre les étapes décrites à la section de cuisson à convection.



1. Le tournbroche peut accommoder jusqu'à 15 lbs (7 kg) limité seulement par l'espace de rotation libre. Pour de meilleurs résultats, disposez la viande au centre de la broche afin qu'elle soit bien équilibrée.
2. Le tournbroche peut être utilisé avec les grilles de cuisson si l'espace le permet.
3. Bien attacher la viande sur la broche avant de la placer sur le grill. En ce qui concerne la volaille, bien attacher les ailes et pattes, afin d'éviter qu'elles ne viennent en contact avec la lèche-frite.

Brûlage. Avant de cuisiner pour la première fois avec votre barbecue au gaz, allumez-le pour éliminer toute odeur ou corps étranger qui pourraient être présents en procédant comme suit: Enlever toutes les grilles de cuisson et la grille de réchaud et les nettoyer avec de l'eau savonneuse. Allumer les brûleurs, fermer le couvercle et laisser en marche pendant **20 minutes** avec les boutons de contrôle ouverts réglés à température "MED/HI". Fermer la source de gaz. Remettre les boutons de contrôle à la position d'arrêt "OFF". Laisser refroidir l'appareil et remettre toutes les grilles à leur place. Vous êtes maintenant prêts à utiliser votre barbecue.

Préchauffage. Avant la cuisson, il est nécessaire de préchauffer le barbecue, couvercle fermé, pour une période de 10 minutes à "MED/HI". Réduire la chaleur selon les aliments à griller. À l'aide d'une brosse en métal, nettoyer les grilles et ensuite utiliser un vaporisateur ou une brosse pour enduire les grilles d'huile d'olive ou végétale, afin que les aliments n'adhèrent pas aux grilles.

Position du couvercle. La position du couvercle durant la cuisson est une question de préférence personnelle. Cependant, il faut noter qu'avec le couvercle fermé, la cuisson se fait plus rapidement, le barbecue utilise moins de gaz et la température est mieux contrôlée. Un couvercle fermé donne aussi un goût plus fumé aux viandes cuites directement sur les grilles et est aussi indispensable pour la fumaison ou la cuisson à convection.

Système de vaporisation. Votre barbecue est conçu pour fonctionner avec le système de vaporisation Flavour-Wave™ (inclus avec l'appareil). N'utilisez pas de pierres de lave, de briquettes en céramique ou tout autre système de vaporisation autre que celui fourni avec votre barbecue...

TEMPÉRATURES DE CUISSON

Réglage élevé. La température à la surface des grilles est d'environ 600 – 650 F (320 – 340 C). Cette température est utilisée pour chauffer rapidement le grill ou enlever les résidus d'aliments des grilles à la fin de la cuisson. Cette température est idéale pour saisir des steaks avant de réduire la température. L'option de cuisson à "HI" n'est que rarement utilisée et ne convient pas à de longues périodes de cuisson.

Réglage moyen/élevé. La température à la surface des grilles est d'environ 550 F (290 C). Cette température est utilisée pour le réchauffement du grill et pour la cuisson de steaks et de côtelettes.

Réglage moyen. La température à la surface des grilles est d'environ 450 F (230 C) avec le couvercle fermé. Ce réglage est idéal pour la plupart des grillades telles volaille, hamburgers, légumes, rôtis et cuisson au four.

Réglage bas. La température à la surface des grilles est d'environ 310 - 350 F (155 - 175 C). Ce réglage est idéal pour la fumaison, pour la pâte et la pâtisserie comme la pizza ou des quesadillas.

Ces températures ne sont qu'approximatives et varient selon la température ambiante et la force du vent à proximité du barbecue lors de la cuisson.

La cuisson directe est une méthode de cuisson des aliments directement sur les grilles. Cette méthode est la plus populaire pour cuire des steaks, des côtelettes, du poisson, des hamburgers, des brochettes et des légumes.

CUISSON DIRECTE

1. Préparer la nourriture en avance pour éviter les délais et pour mieux planifier la durée de cuisson. Si vous utilisez des marinades et des épices, appliquez-les avant de placer la viande sur les grilles de cuisson. Badigeonner la viande de 2 à 4 minutes avant la fin de la cuisson pour éviter qu'elle ne brûle.

2. Pour éviter d'avoir à quitter l'aire de votre barbecue, assurez-vous d'avoir des fourchettes, des pinces, des mitaines, votre sauce et vos assaisonnements à proximité.

3. La viande doit être à la température de la pièce avant la cuisson. Ôter le surplus de graisse pour minimiser les flambées causées par la fonte de la graisse.

4. Avant la cuisson, préchauffer le barbecue à la température désirée, couvercle fermé.

5. Enduire les grilles de cuisson avec de l'huile végétale ou d'olive pour éviter que les aliments ne collent aux grilles.

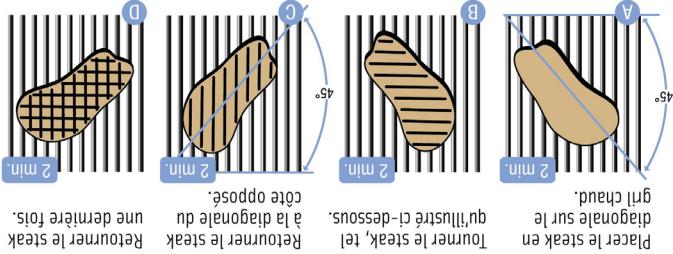
6. Éviter d'utiliser du sel pour la cuisson de viandes sur le barbecue. La viande sera plus juteuse si vous ajoutez du sel après la cuisson.

7. Pour prévenir que les steaks ne deviennent "secs", utiliser des pinces au lieu d'une fourchette et commencer la cuisson à "MED-HI" pour bien saisir la viande et sceller la saveur. Réduire la température et allonger la durée de cuisson pour les tranches de viande plus épaisses.

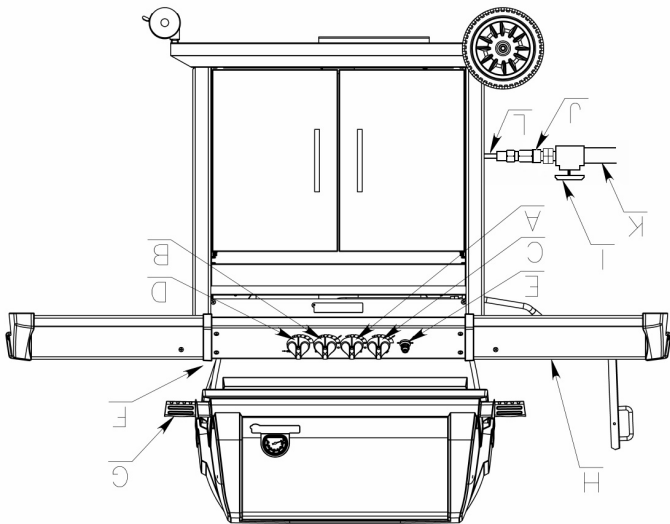
8. Apprenez à vérifier si la viande est à point en tenant compte de la durée de cuisson et sa fermeté. La viande s'affermi lorsqu'elle cuit. Une viande tendre est saignante et plus ferme lorsqu'elle est bien cuite.

9. Suivre le guide de cuisson du steak parfait pour la plupart des viandes, poissons, volaille et légumes.

Guide de cuisson du steak parfait



Épaisseur De La Viande	Température	Minutes Par Côté	Temps total
1 1/2"	Élevée	A 3/4 B 1 3/4 C 1 3/4 D 1 3/4	7 minutes
Saignant	Élevée	A 3/4 B 1 3/4 C 1 3/4 D 1 3/4	7 minutes
Méd/Saignant	Moyenne/Élevée	A 2 B 2 C 2 D 2	8 minutes
Méd/Saignant	Moyenne/Élevée	A 2 B 2 C 2 D 2	8 minutes
Méd/Saignant	Moyenne/Élevée	A 2 1/2 B 2 1/2 C 2 1/2 D 2 1/2	10 minutes
Méd/Saignant	Moyenne	A 3 B 3 C 3 D 3	12 minutes
Bien Cuit	Moyenne	A 3 1/2 B 3 1/2 C 3 1/2 D 3 1/2	14 minutes
Bien Cuit	Moyenne	A 3 1/2 B 3 1/2 C 3 1/2 D 3 1/2	14 minutes



1. L'appareil doit être entièrement assemblé selon les instructions détaillées d'assemblage.
2. S'assurer que la bonbonne de gaz est pleine et bien connectée au régulateur.
3. S'assurer qu'il n'y a pas de fuites de gaz dans le système d'alimentation de gaz. Voir "Contrôle des Fuites"
4. S'assurer que les tubes venturi sont placés correctement au-dessus des orifices des soupapes de gaz des brûleurs.
5. S'assurer que les fils pour allumer le brûleur principal et le brûleur latéral sont connectés.
6. Lire attentivement toutes les instructions figurant sur la fiche de renseignements du barbecue.
7. **AVERTISSEMENT : Ouvrir le couvercle avant l'allumage.**
8. Placer les boutons de réglage à la position d'arrêt "OFF" et ouvrir le robinet de gaz de la bonbonne.
- 9a. **Pour le brûleur principal**

Pousser l'un des deux boutons de réglage et tourner au réglage maximum "H". Appuyer (ou tourner) 3 à 4 fois sur le bouton d'allumage ou allumer avec une allumette. Le brûleur devrait s'allumer dans les 5 prochaines secondes. (Il sera peut être plus facile d'allumer avec le bouton de réglage de droite ou avec les deux boutons de réglage tournés à l'indication de chaleur moyenne "Medium".)

Remarque : Allumage à l'allumette Suivre les étapes 1 à 8 ci-dessus. Insérer une allumette allumée dans l'orifice d'allumage situé en bas à droite du boîtier. Pousser le bouton de réglage de droite à "H". Le brûleur devrait s'allumer dans les 5 prochaines secondes. Après avoir allumé le brûleur droit, pousser le bouton de réglage de gauche à "H". Le brûleur s'allumera automatiquement.

SI LE BRÛLEUR NE S'ALLUME PAS :

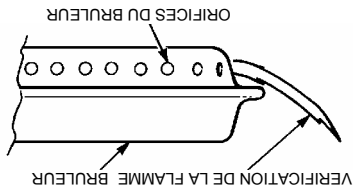
1. Pousser et tourner le bouton de réglage à la position d'arrêt "OFF". Attendre 5 minutes, puis essayer de nouveau avec le bouton de réglage de droite ou avec les deux boutons de réglage tournés à chaleur moyenne "Medium".
2. Si un brûleur ne s'allume pas, consulter la section "Localisation de Pannes" du manuel. Si le problème ne peut pas être résolu, ne pas essayer de faire fonctionner l'appareil; contacter votre détaillant ou un centre de service autorisé.

FERMETURE

1. Fermer le robinet de la bonbonne à "OFF".
2. Tourner les boutons de réglage du panneau de contrôle à "OFF".

Si l'un des problèmes suivants se produit, les tubes venturi sont probablement bloqués. Fermer le gaz immédiatement et nettoyer les tubes venturi. Voir "Tubes Venturi".

1. Une odeur de gaz.
2. Un retour de flamme se produit.
3. Le barbecue ne cuit pas uniformément.
4. Les brûleurs émettent des crépitements.



Les flammes provenant des orifices du brûleur devraient mesurer environ 2,5 cm de hauteur au réglage maximum "H".

10. **Attention - Vérifiez votre barbecue une fois allumé.** Il est important de placer l'allumette près des orifices du brûleur **AVANT** de tourner le bouton de contrôle du brûleur. Brûleur devrait s'allumer dans les 5 secondes suivantes. Pousser et tourner le bouton de réglage à "HIGH".

ENLEVER LA GRILLE DE RÉCHAUD.

- 9c. **Pour le brûleur à rôtisserie arrière :** Suivre les étapes 1 à 8 ci-dessus. Placer une allumette allumée près des orifices du brûleur arrière. Pousser et tourner le bouton de réglage à "HIGH". Brûleur devrait s'allumer dans les 5 secondes suivantes.

Attention : Le brûleur arrière doit être en place avant de des dommages au barbecue pourraient résulter. en même temps que le brûleur arrière, un feu de graisse ou **Avertissement - Ne pas faire fonctionner le brûleur principal**

Pour le brûleur à rôtisserie latéral : Suivre les étapes 1 à 8 ci-dessus. Placer une allumette allumée près des orifices du brûleur latéral. Pousser le bouton de réglage à la position "H". Le brûleur devrait s'allumer dans les 5 secondes suivantes.

Remarque : Allumage à l'allumette Suivre les étapes 1 à 8 ci-dessus. Placer une allumette allumée près des orifices du brûleur latéral. Pousser le bouton de réglage et le tourner au réglage maximum "H". Appuyer (ou tourner) 3 à 4 fois sur le bouton d'allumage. Le brûleur devrait s'allumer dans les 5 prochaines secondes.

- 9b. **Pour le brûleur latéral:**

CONTRÔLE DES FUITES

Toutes les connexions fabriquées en usine ont été testées pour des fuites de gaz. Toutefois, à l'expédition et à la maintenance un raccord pourrait s'être desserré.

MESURES DE PRÉCAUTION:

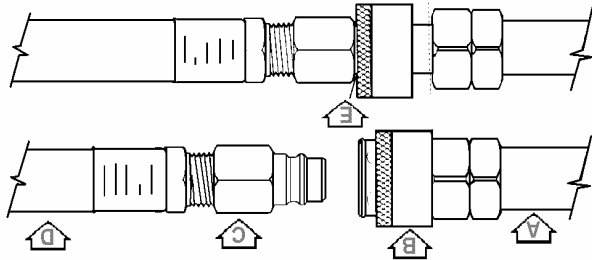
- VÉRIFIER TOUTES LES CONNEXIONS POUR FUITES AVANT D'UTILISER VOTRE BARBECUE AU GAZ.
- VÉRIFIER POUR DES FUITES DE GAZ POSSIBLES À CHAQUE FOIS QU'UN RACCORD DE GAZ EST DÉBRANCHÉ ET REBRANCHÉ.

NE PAS FUMER!

- NE JAMAIS TESTER LES FUITES DE GAZ EN TENANT UNE ALLUMETTE ALLUMÉE OU AUTRE SOURCE DE FLAMME.
- LE TEST DE FUITES DES GAZ DOIT ÊTRE EFFECTUÉ À L'EXTÉRIEUR.

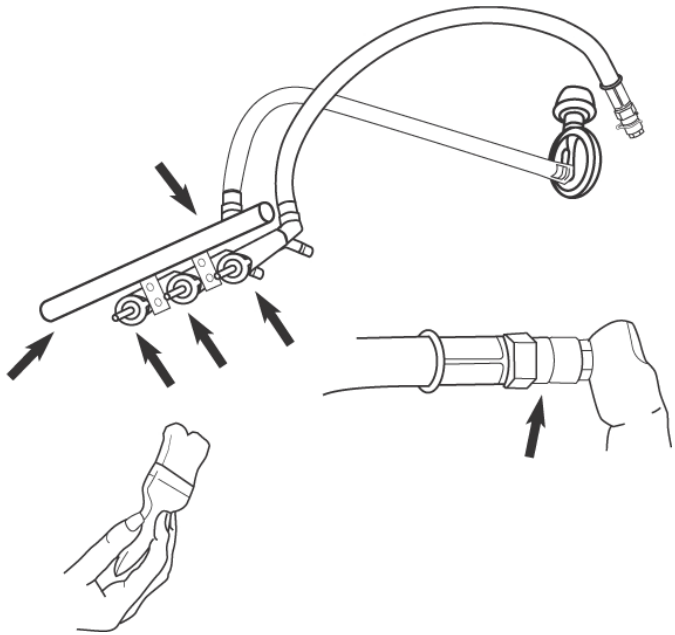
VÉRIFICATION DES FUITES DE GAZ:

- A. ALIMENTATION DU GAZ
- B. A COUPLLEMENT À DÉBRANCHEMENT RAPIDE
- C. ADAPTEUR DU TUYAU
- D. TUYAU PROLONGATEUR
- E. VÉRIFIER LES FUITES ICI



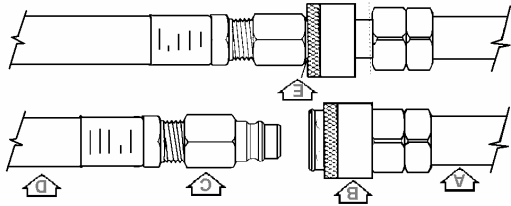
1. Vérifier que l'appareil soit déconnecté aux contrôles pour chaque brûleur. Éteindre toutes flammes nues et cigarettes dans les environs.
2. Préparer une solution savonneuse (quantités égales d'eau et de détergent liquide pour la vaisselle).
3. Ouvrir la soupape.
4. A l'aide d'un pinceau, brosser chaque raccord avec la solution savonneuse.

- Si votre barbecue est équipé d'un brûleur latéral ou d'un brûleur à rôtisserie:
- a. Mettre le bout d'un doigt sur l'ouverture de l'orifice à l'extrémité du tuyau.
 - b. Tourner le bouton de commande du brûleur latéral "SIDE/REAR" à la position "HI".
 - c. Brosser chaque raccord entre l'orifice et la soupape de commande avec la solution savonneuse.
 - d. Tourner le bouton de commande "SIDE/REAR" à la position d'arrêt "OFF".

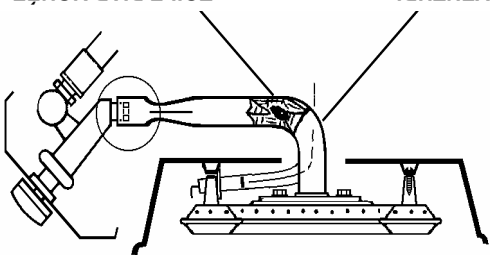


5. Si la solution fait des bulles, il y a une fuite.
6. Toutes fuites découvertes, doit être scellée avant d'utiliser l'appareil.
7. Si la fuite persiste, communiquez avec votre détaillant de barbecues pour assistance. Ne pas essayer de faire fonctionner l'appareil s'il y a une fuite.

1. Sur les modèles fournis d'un tuyau prolongateur, l'assemblage des tuyaux est destiné particulièrement pour votre modèle. Ne pas essayer de modifier ou d'ajouter à l'alimentation. Les tuyaux et les accouplements des tuyaux sont conformes au Standard CGA CAN 1-83.
2. Pour les modèles équipés avec l'accouplement à débarrasement rapide, fermer la soupape avant de débarrasement l'accouplement.
3. L'accouplement à débarrasement rapide doit rester propre et être entretenu pour qu'il n'y ait pas de débris ou de saletés.
4. S'assurer qu'il n'y ait pas de graisse dégoûtant du tuyau, et ne pas laisser le tuyau toucher aucune surface chaude y inclus le boîtier du grill.
5. Inspecter le tuyau en remplaçant le réservoir de gaz liquide au moins une fois par année. Si le tuyau a des fissures, des courbes, est usé ou endommagé, l'appareil ne doit pas être utilisé.
6. Pour une réparation ou remplacement de l'assemblage des tuyau, prendre contact avec votre marchand ou avec un centre de service autorisé.

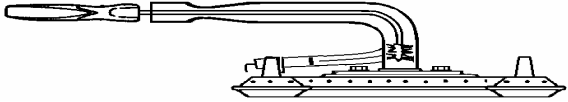


- A. ALIMENTATION DU GAZ
- B. ACCOUPLEMENT À DÉBARRASUREMENT RAPIDE
- C. ADAPTEUR DU TUYAU
- D. TUYAU PROLONGATEUR
- E. VERIFIER LES FUITES ICI

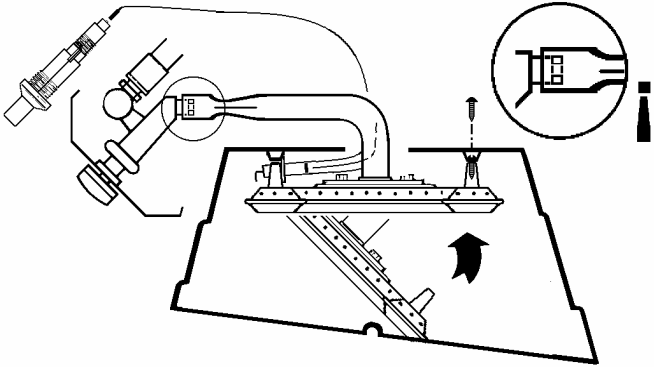
- GARDER LES TUBES VENTURI PROPRES
 - Les obstructions causées par les toiles d'araignée et nids d'insectes peuvent causer un feu de retour de flamme. Même s'il est possible d'allumer le grill, le gaz accumulé dans les conduits peut s'enflammer et incendier les tubes venturi et le tableau de contrôle.
- 
- Si un feu de retour de flamme a lieu, fermer immédiatement le gaz à la source.
- Il est recommandé d'inspecter et de nettoyer les tubes venturi si l'un des problèmes suivants survient:
1. Une odeur de gaz.
 2. Le barbecue n'atteint pas la température désirée.
 3. Le barbecue ne cuit pas uniformément.
 4. Les brûleurs émettent des crépitements.

INSPECTION ET NETTOYAGE DES TUBES VENTURI

1. Fermer la source de gaz du barbecue, c.-à-d. la bonbonne, ou la conduite d'alimentation de gaz naturel.
2. Lorsque le barbecue est refroidi, enlever les attaches de retenue des brûleurs de dessous et, lever le brûleur du fond du boîtier.
3. Nettoyer les tubes venturi avec un cure-pipe ou avec une brosse à venturi (accessoire n° #18270).



4. Replacer le brûleur en position au fond du boîtier en vous assurant que les tubes venturi soient correctement alignés et ajustés sur les orifices.



5. Fixer le brûleur avec les attaches de retenue appropriées.

1. Cet appareil est destiné pour être utilisé avec du gaz naturel. Ne pas utiliser avec du gaz propane (réservoir de gaz). Les soupapes, orifices et les tuyaux sont pour gaz naturel seulement.

2. Ne pas utiliser avec du charbon.
3. Une soupape d'arrêt doit être utilisée sur la canalisation d'alimentation du gaz.
4. Quand l'appareil n'est pas utilisé, fermer l'alimentation du gaz à la soupape.
5. L'appareil est fait pour opérer à une pression de 7 pouces sur colonne d'eau.

ENTREPOSAGE

1. Le gaz doit être fermé à l'alimentation du gaz naturel quand le grill n'est pas utilisé.



- A. ALIMENTATION DU GAZ
- B. SOUPAPE
- C. ACCOUPLEMENT À DÉBRANCHEMENT RAPIDE
- D. EXTENSION DU TUYAU

VERIFICATION DU GAZ A LA SOURCE

2. Quand le grill est entreposé dehors, l'alimentation du gaz doit être débranchée.
1. Cet appareil doit être débranché de la canalisation de l'alimentation du gaz au débranchement rapide durant une vérification à pression de ce système de plus de 1/2 psig (3.5 kPa).
2. Fermer le grill quand l'alimentation du gaz est vérifiée à une basse pression. Cet appareil devra être isolé de la canalisation de l'alimentation du gaz en fermant la soupape durant toute vérification de l'alimentation à une pression égale ou moins de 1/2 psig (3.5 kPa).

Votre nouveau barbecue est un appareil sécuritaire et pratique s'il est assemblé et utilisé correctement. Néanmoins, comme avec tous les produits fonctionnant au gaz, certaines mesures de sécurité doivent être observées. L'observation de ces mesures de sécurité pourrait causer des dommages ou blessures. Si vous avez des questions en ce qui concerne l'assemblage ou le fonctionnement, veuillez consulter votre marchand, technicien d'appareils à gaz, votre compagnie distributrice de gaz ou notre service à la clientèle au 800-265-2150.

MESURES DE SÉCURITÉ	
• S'il y a une odeur de gaz:	
1. Coupez l'admission de gaz de l'appareil.	
2. Éteindre toute flamme nue.	
3. Ouvrir le couvercle.	
4. Si l'odeur persiste, éloignez-vous de l'appareil et appelez immédiatement le fournisseur de gaz ou le service d'incendie.	
Ne pas entreposer ni utiliser de l'essence ni d'autres vapeurs ou liquides inflammables dans le voisinage de l'appareil, ni de tout autre appareil.	

ATTENTION

- UTILISER À L'EXTÉRIEUR SEULEMENT.
- POUR L'ENTREPOSAGE À L'INTÉRIEUR, DÉTACHER ET RANGER LA BONBONNE À L'EXTÉRIEUR.
- NE PAS FAIRE FONCTIONNER CET APPAREIL SANS SURVEILLANCE.
- PRENEZ LES PRÉCAUTIONS NÉCESSAIRES POUR TENIR LES JEUNES ENFANTS ÉLOIGNÉS DES SURFACES CHAUFFÉES.

Soyez prudent lorsque vous déplacez l'appareil. Les angles métalliques peuvent être coupants. Utilisez des gants appropriés pour soulever ou déplacer le barbecue. Avant de soulever le barbecue, prenez soin de retirer les tablettes latérales et les grilles de cuisson.

PRÉCAUTIONS À PRENDRE AVEC L'ÉLECTRICITÉ

1. Si vous servez d'un appareil électrique nécessitant une source d'alimentation extérieure, l'accessoire doit être mis à la terre conformément aux codes locaux ou en l'absence de ceux-ci, conformément aux normes suivantes :
(Canada) CSA C22.1 Code canadien de l'électricité et (É.-U.) ANS/NFPA 70 Dernière édition
2. Ne pas couper ou enlever la broche de masse de la fiche électrique.
3. Tenir le fil électrique et le tuyau d'alimentation de combustible éloignés de toute surface chauffée.

AVERTISSEMENT

Les combustibles qui sont utilisés dans les appareils qui fonctionnent à l'huile ou au gaz et leurs produits de combustion contiennent des produits chimiques qui, selon des recherches effectuées par l'état de la Californie, causent le cancer, des anomalies congénitales et autres anomalies du système reproducteur. "Cet avertissement est émis en vertu de la California Health and Safety Code Sec. 25249.6"

1. Au Canada, cet appareil doit être installé conformément au code local et à la norme CSA applicable:
CSA-B149.1 Code d'installation des appareils au gaz Naturels et Propane

Aux États-Unis, cet appareil doit être installé conformément au code local et aux normes nationales pertinentes :

ANSI Z223.1/NFPA 54 - Dernière Édition du Code de Gaz National et des codes locaux, s'il y a lieu

2. L'appareil doit être situé à plus de 76cm/30" de chaque côté et à plus de 76cm/30" à l'arrière de toute surfaces combustible.



3. NE PAS UTILISER cet appareil sous une toiture ou sous un feuillage.
4. Cet appareil est conçu pour être UTILISÉ À L'EXTÉRIEUR SEULEMENT. NE PAS UTILISER dans un garage, une remise, sur un balcon ou autre endroit clos.
5. NE PAS RESTREINDRE la circulation d'air à l'appareil.
6. Garder les environs de l'appareil libres de matières combustibles, d'essence et de tout liquide et vapeur inflammables.
7. Cet appareil n'est pas conçu pour être installé sur ou dans un véhicule récréatif ou un bateau.

LIRE ATTENTIVEMENT AVANT D'UTILISER SON GRIL
 GARDER CES INSTRUCTIONS POUR REFERENCE ULTERIEURE

TABLE DES MATIÈRES

SÉCURITÉ 2

INSTALLATION 2

GAZ NATUREL 3

ALIMENTATION DU GAZ 4

TUBES VENTURI 4

CONTRÔLE DES FUITES 5

ALLUMAGE 6

FONCTIONNEMENT 7

TECHNIQUES DE CUISSON 7

ENTRETIEN 10

LOCALISATION DE PANNES 11

GARANTIE 12

12 Date d'achat _____

11 Numéro de série _____

7 Numéro de modèle _____

7 ici.

6 Veuillez prendre en note vos numéros de modèle et de série

ANSI Z21.58b-2006 / CSA 1.6b-2006



UTILISATION AVEC GAZ NATUREL



MANUEL DE L'UTILISATEUR

Broil King® STERLING® Broil-Mate™

GRIL À GAZ

